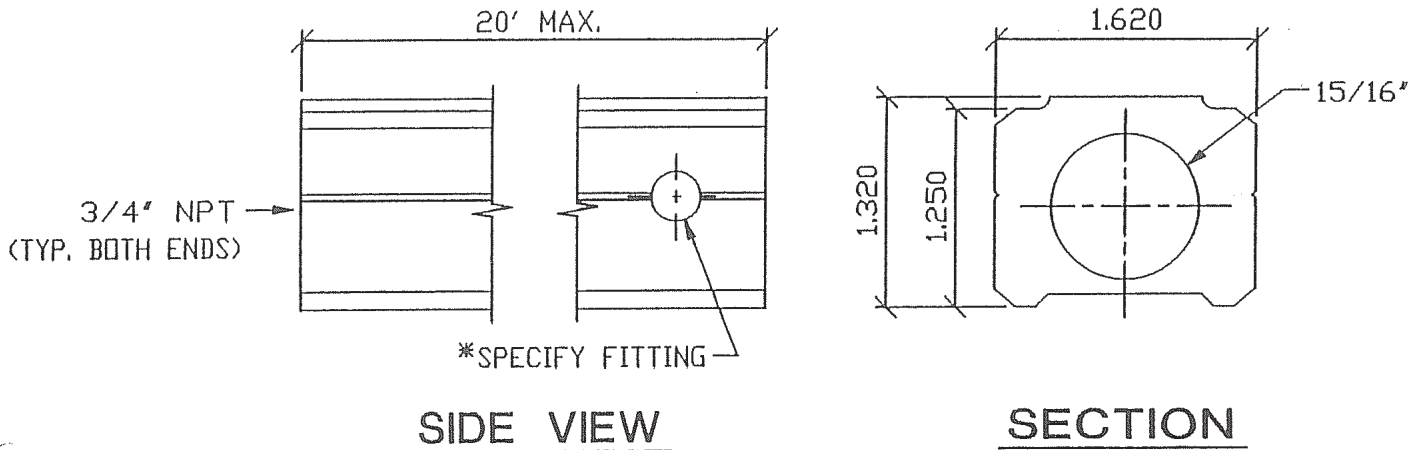


# FLEX-A-SCOPE 2

STACKABLE ALUMINUM LABORATORY MANIFOLD

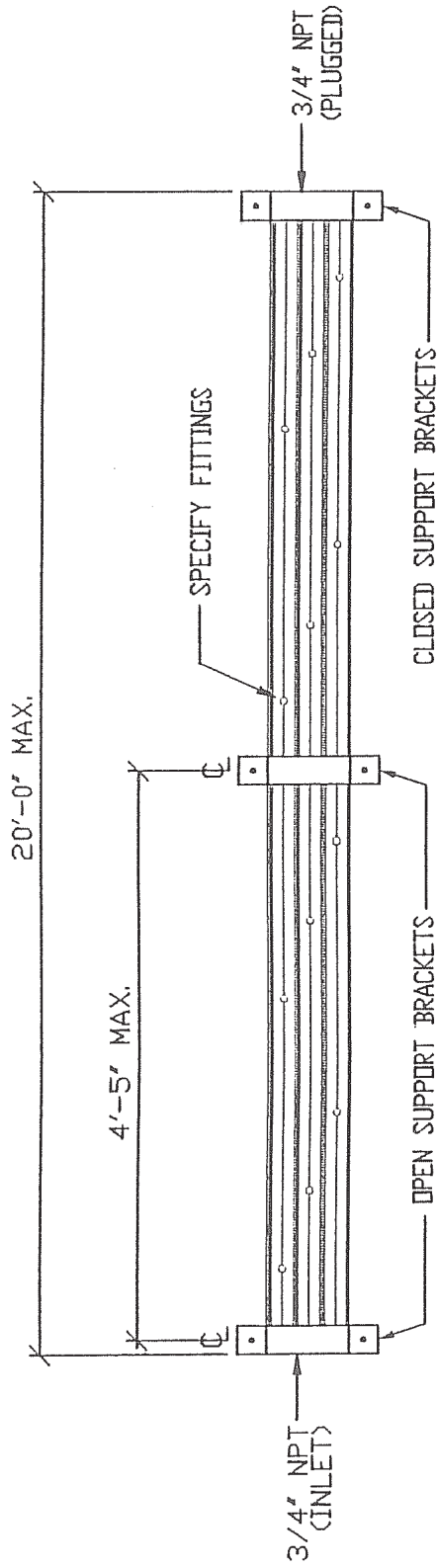


\*QUANTITY, SIZE & LOCATION  
(EXAMPLE: 3/8" OR 1/4" NPT)

## SPECIFICATIONS:

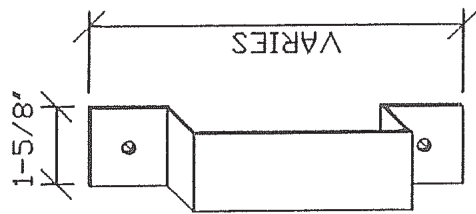
1. ALUMINUM ALLOY: #6063
2. TEMPER: T5
3. ANODIZE: SCA
4. MAXIMUM WORKING PRESSURE: 1500 P.S.I.
5. RECOMMENDED OPERATING PRESSURE LESS THAN 200 P.S.I.
6. NOT RECOMMENDED FOR HIGH PURITY OR REACTIVE CYLINDER GASES (EG. HELIUM, HYDROGEN, OXYGEN, ETC.)

**LFS** systems  
CORP

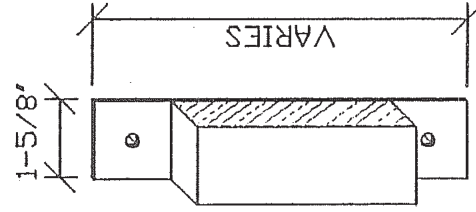


**TYPICAL FLEX-A-SCOPE  INSTALLATION**

VERTICAL SURFACE MOUNTING SHOWN

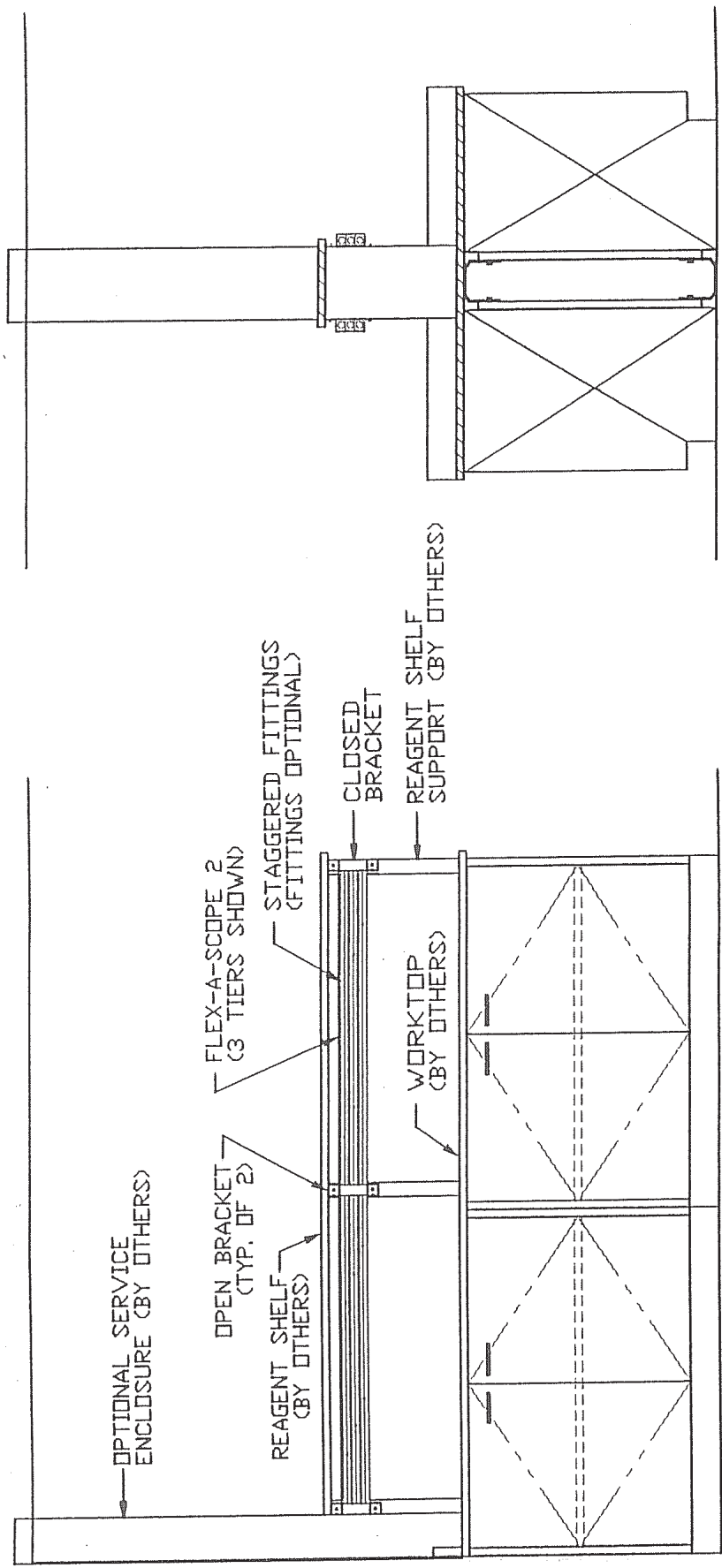


**OPEN SUPPORT BRACKET**

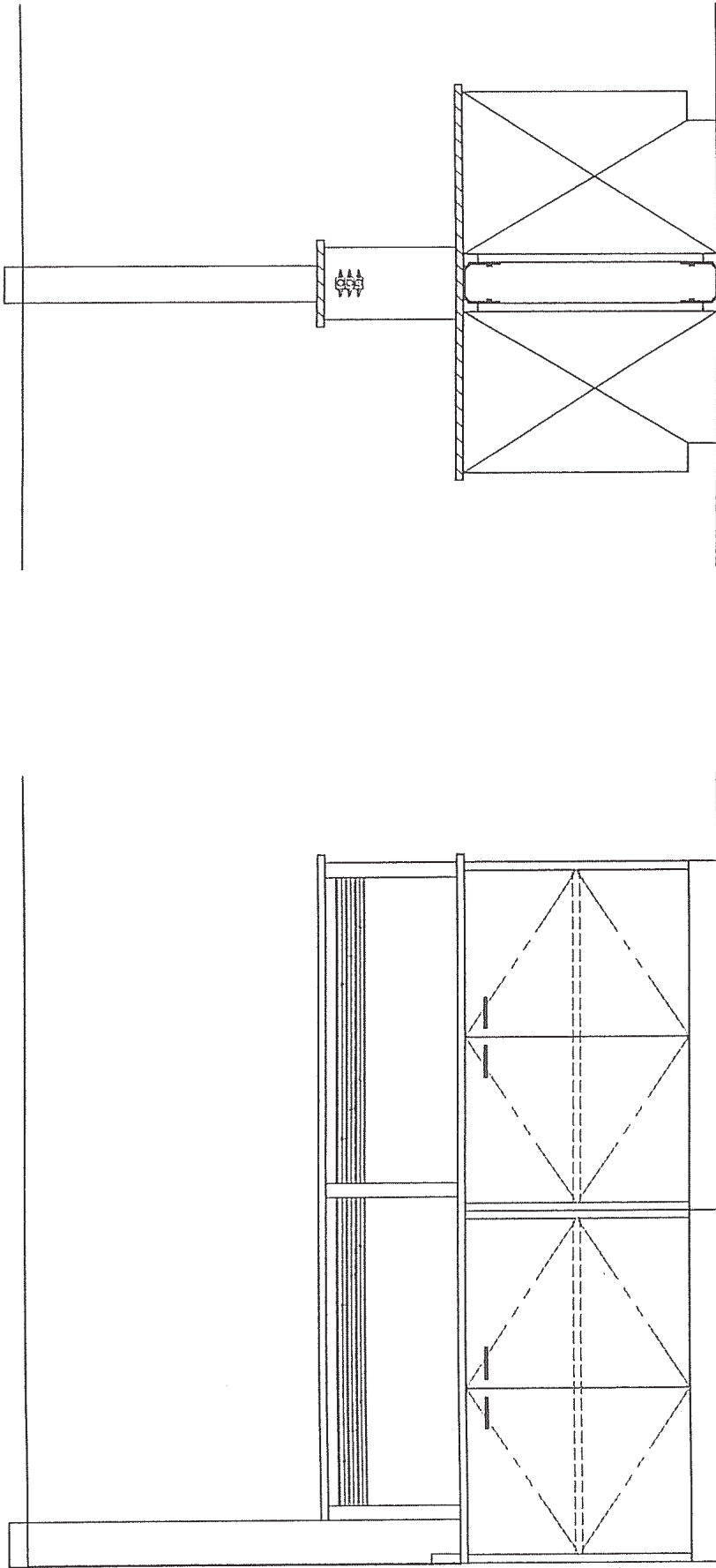


**CLOSED SUPPORT BRACKET**

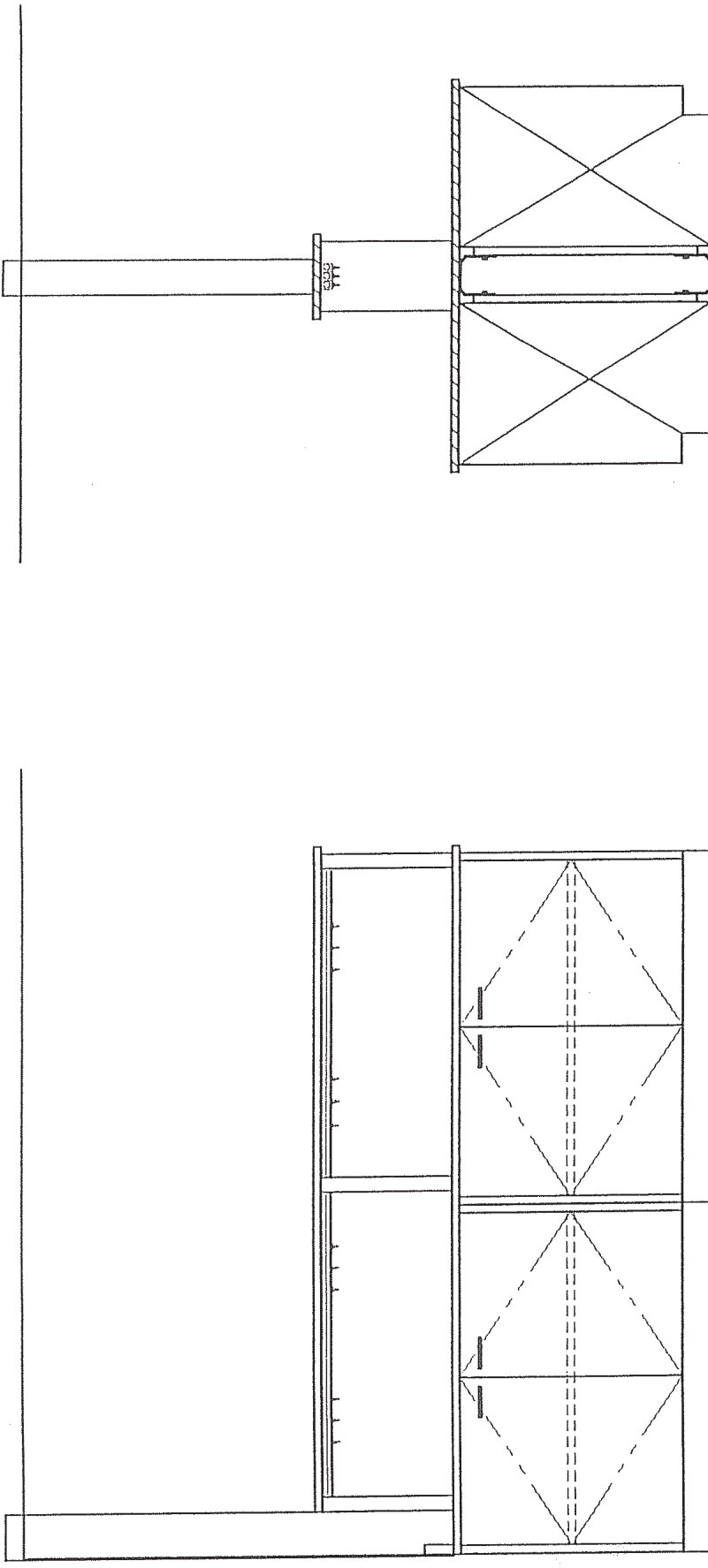
NOTE : SUPPORT BRACKETS TO BE 16 GA.  
TYPE 304 SS WITH #4 FINISH.  
SPECIAL CONFIGURATIONS AVAILABLE  
ON REQUEST.



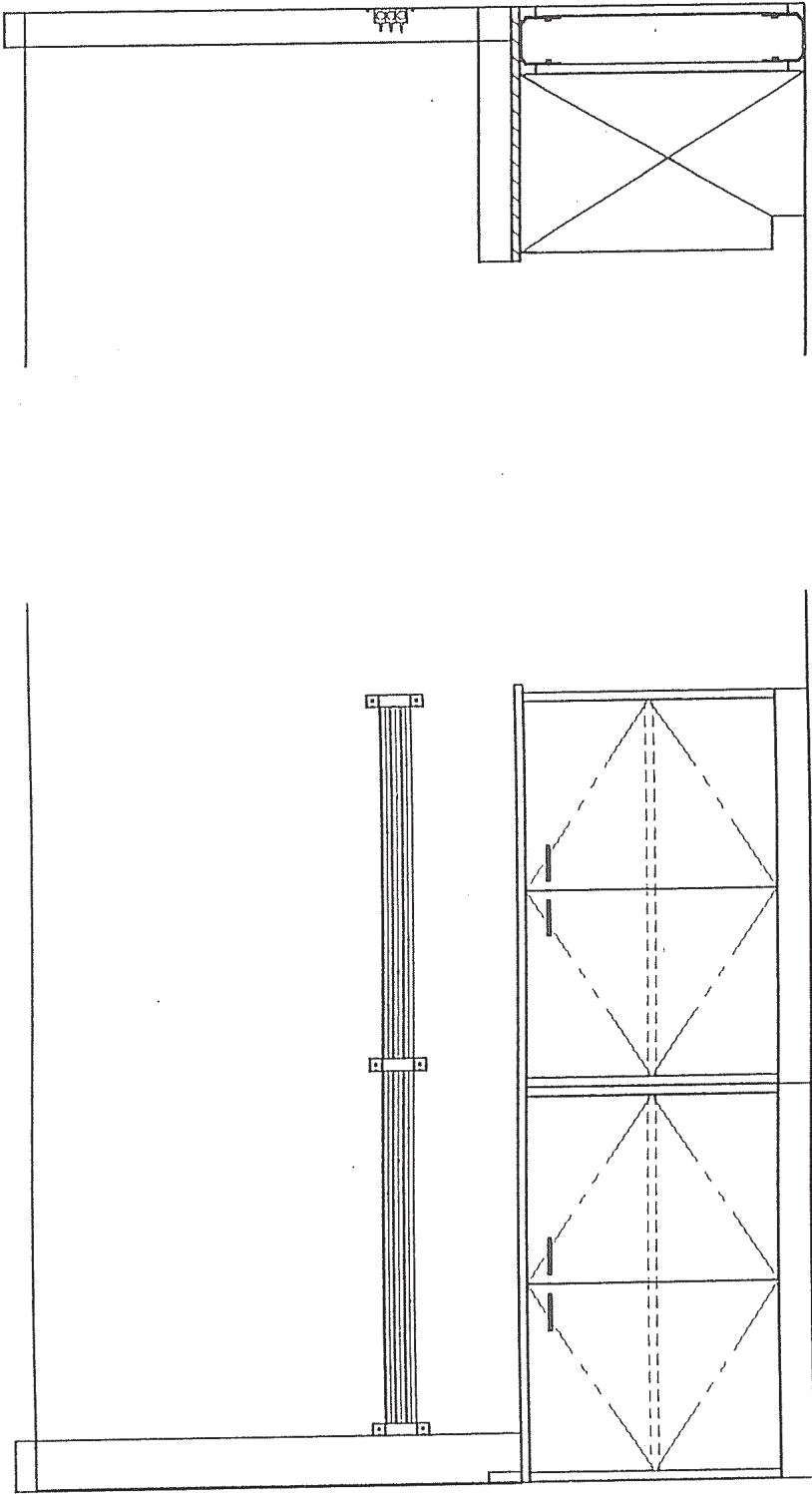
**TYPICAL FLEX-A-SCOPE 2 INSTALLATION**  
 VERTICAL SURFACE MOUNTING ON REAGENT SHELF SUPPORT



**TYPICAL FLEX-A-SCOPE 2 INSTALLATION**  
VERTICAL CENTER MOUNTING THRU REAGENT SHELF SUPPORT



**TYPICAL FLEX-A-SCOPE® INSTALLATION**  
HORIZONTAL CENTER MOUNTING THRU REAGENT SHELF SUPPORT



TYPICAL FLEX-A-SCOPE 2 INSTALLATION  
VERTICAL SURFACE MOUNTING ON WALL