

Tables, Aprons & Drawers – Aprons

Add **S** to the end of the product number to indicate Stainless Steel. Example: TBA-2422**S**

All legs have adjustment bolts and plastic shoes.

Apron is 4 1/2" high.

Tables, Aprons & Drawers – Aprons

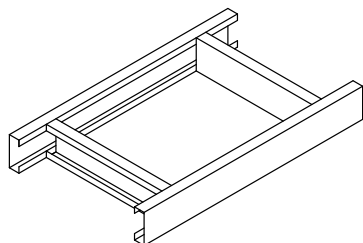


Table Apron

22" Deep	28" Deep
TBA-2422	TBA-2428
TBA-3022	TBA-3028
TBA-3622	TBA-3628
TBA-4222	TBA-4228
TBA-4822	TBA-4828
TBA-5422	TBA-5428
TBA-6022	TBA-6028
TBA-6622	TBA-6628
TBA-7222	TBA-7228

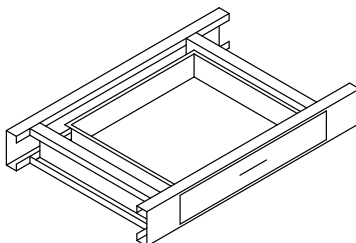


Table Apron – 1 Drawer

22" Deep	28" Deep
TBA-2422-1	TBA-2428-1
TBA-3022-1	TBA-3028-1
TBA-3622-1	TBA-3628-1
TBA-4222-1	TBA-4228-1
TBA-4822-1	TBA-4828-1
TBA-5422-1	TBA-5428-1
TBA-6022-1	TBA-6028-1
TBA-6622-1	TBA-6628-1
TBA-7222-1	TBA-7228-1

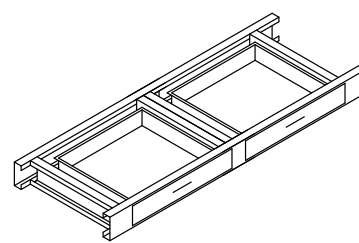
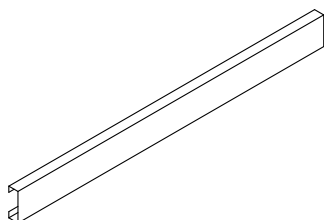


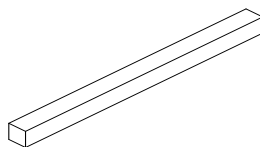
Table Apron – 2 Drawer

22" Deep	28" Deep
TBA-4822-2	TBA-4828-2
TBA-5422-2	TBA-5428-2
TBA-6022-2	TBA-6028-2
TBA-6622-2	TBA-6628-2
TBA-7222-2	TBA-7228-2



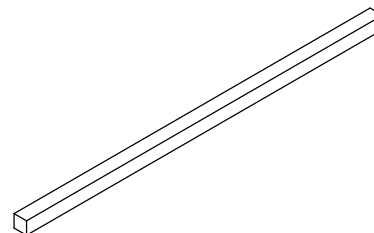
Apron Rails

2" High	4 1/2" High
TBR-2402	TBR-2445
TBR-3002	TBR-3045
TBR-3602	TBR-3645
TBR-4202	TBR-4245
TBR-4802	TBR-4845
TBR-5402	TBR-5445
TBR-6002	TBR-6045
TBR-7202	TBR-7245



Leg Rails

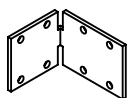
TGL-22	22" Long
TGL-28	28" Long
TGL-34	34" Long
TGL-40	40" Long
TGL-46	46" Long



Leg Stretchers

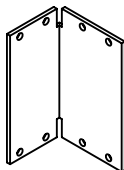
TST-24	18" Wide
TST-30	24" Wide
TST-36	30" Wide
TST-42	36" Wide
TST-48	42" Wide
TST-54	48" Wide
TST-60	54" Wide
TST-66	60" Wide
TST-72	66" Wide

Apron Front
Attach to Wall or Adjacent Casework
Use with Reagent Shelves for Service Outlets



Angle Brackets

2" High
TSA-02



Angle Brackets

4 1/2" High
TSA-45



Tables, Aprons & Drawers – Table Assemblies

Add **S** to the end of the product number to indicate Stainless Steel. Example: TBA-2422**S**

Add **-C** to the end of the product number to indicate 3" casters (optional). Example: TBA-2422-**C**

All legs have adjustment bolts and plastic shoes.

Apron is 4 1/2" high.

Tops not included

Note: Dimensions shown are actual top sizes—table assembly is 1" less all around.

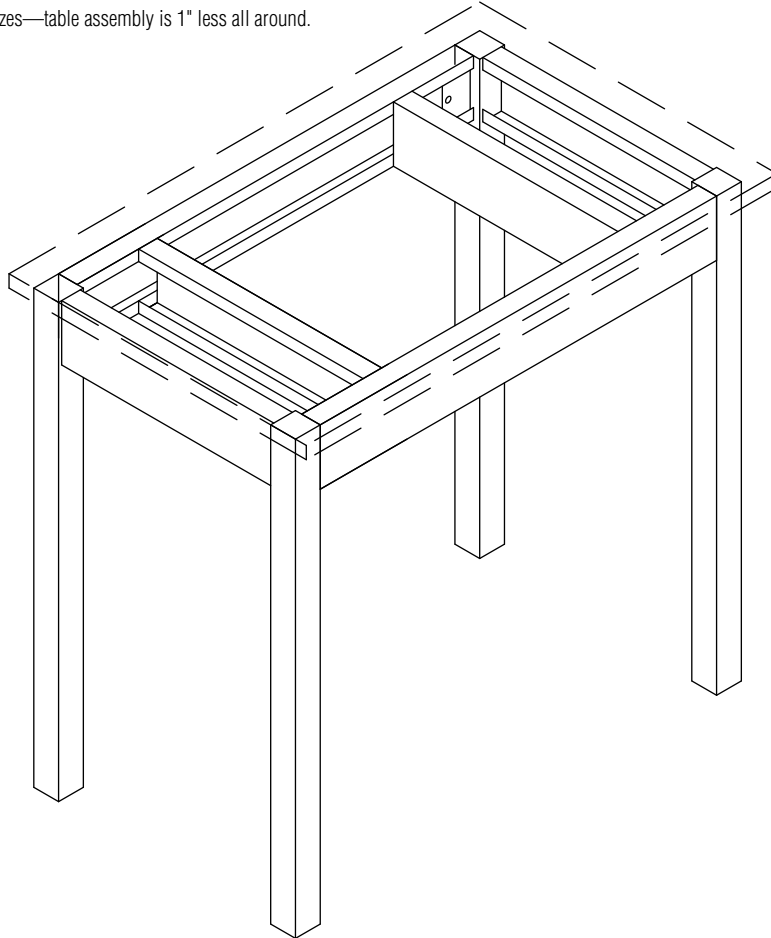


Table Assemblies

Standing Height Tables 35 1/4" High

24" Deep Tops	30" Deep Tops	36" Deep Tops
TBH-3024	TBH-3030	TBH-3636
TBH-3624	TBH-3630	TBH-4236
TBH-4224	TBH-4230	TBH-4836
TBH-4824	TBH-4830	TBH-5436
TBH-5424	TBH-5430	TBH-6036
TBH-6024	TBH-6030	TBH-6636
TBH-6624	TBH-6630	TBH-7236
TBH-7224	TBH-7230	

42" Deep Tops	48" Deep Tops
TBH-4242	TBH-4848
TBH-4842	TBH-5448
TBH-5442	TBH-6048
TBH-6042	TBH-6648
TBH-6642	TBH-7248
TBH-7242	

Sitting Height Tables 28" High

24" Deep Tops	30" Deep Tops	36" Deep Tops
TBL-3024	TBL-3030	TBL-3636
TBL-3624	TBL-3630	TBL-4236
TBL-4224	TBL-4230	TBL-4836
TBL-4824	TBL-4830	TBL-5436
TBL-5424	TBL-5430	TBL-6036
TBL-6024	TBL-6030	TBL-6636
TBL-6624	TBL-6630	TBL-7236
TBL-7224	TBL-7230	

42" Deep Tops	48" Deep Tops
TBL-4242	TBL-4848
TBL-4842	TBL-5448
TBL-5442	TBL-6048
TBL-6042	TBL-6648
TBL-6642	TBL-7248
TBL-7242	

Tables, Aprons & Drawers – Table Assemblies

Add **S** to the end of the product number to indicate Stainless Steel. Example: TBA-2422**S**

Add **-C** to the end of the product number to indicate 3" casters (optional). Example: TBA-2422-**C**

All legs have adjustment bolts and plastic shoes.

Apron is 4 1/2" high.

Tops not included

Note: Dimensions shown are actual top sizes—table assembly is 1" less all around.

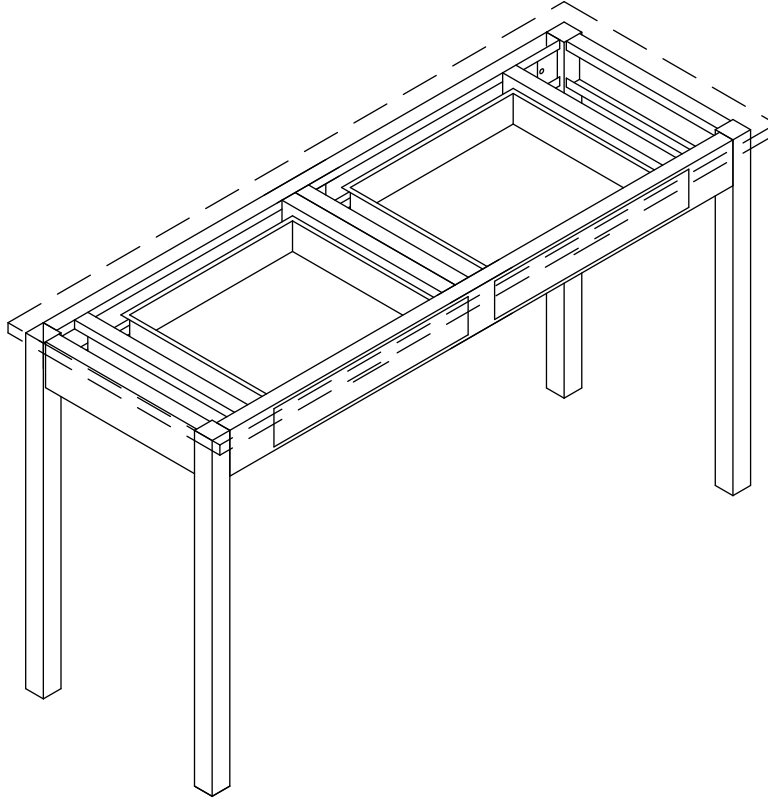


Table Assemblies

Standing Height Tables 35 1/4" High

24" Deep Tops	30" Deep Tops	36" Deep Tops
TBH-4824-2	TBH-4830-2	TBH-4836-2
TBH-5424-2	TBH-5430-2	TBH-5436-2
TBH-6024-2	TBH-6030-2	TBH-6036-2
TBH-6624-2	TBH-6630-2	TBH-6636-2
TBH-7224-2	TBH-7230-2	TBH-7236-2

42" Deep Tops	48" Deep Tops
TBH-4842-2	TBH-4848-2
TBH-5442-2	TBH-5448-2
TBH-6042-2	TBH-6048-2
TBH-6642-2	TBH-6648-2
TBH-7242-2	TBH-7248-2

Sitting Height Tables 28" High

24" Deep Tops	30" Deep Tops	36" Deep Tops
TBL-4824-2	TBL-4830-2	TBL-4836-2
TBL-5424-2	TBL-5430-2	TBL-5436-2
TBL-6024-2	TBL-6030-2	TBL-6036-2
TBL-6624-2	TBL-6630-2	TBL-6636-2
TBL-7224-2	TBL-7230-2	TBL-7236-2

42" Deep Tops	48" Deep Tops
TBL-4842-2	TBL-4848-2
TBL-5442-2	TBL-5448-2
TBL-6042-2	TBL-6048-2
TBL-6642-2	TBL-6648-2
TBL-7242-2	TBL-7248-2

Tables, Aprons & Drawers – Table Assemblies

Add **S** to the end of the product number to indicate Stainless Steel. Example: TBA-2422**S**

Add **-C** to the end of the product number to indicate 3" casters (optional). Example: TBA-2422-**C**

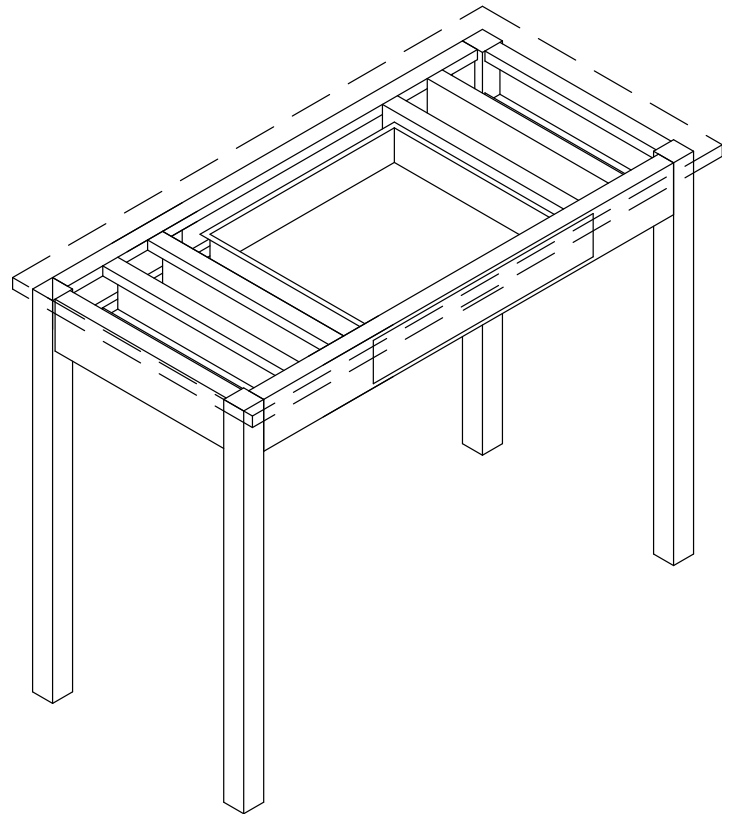
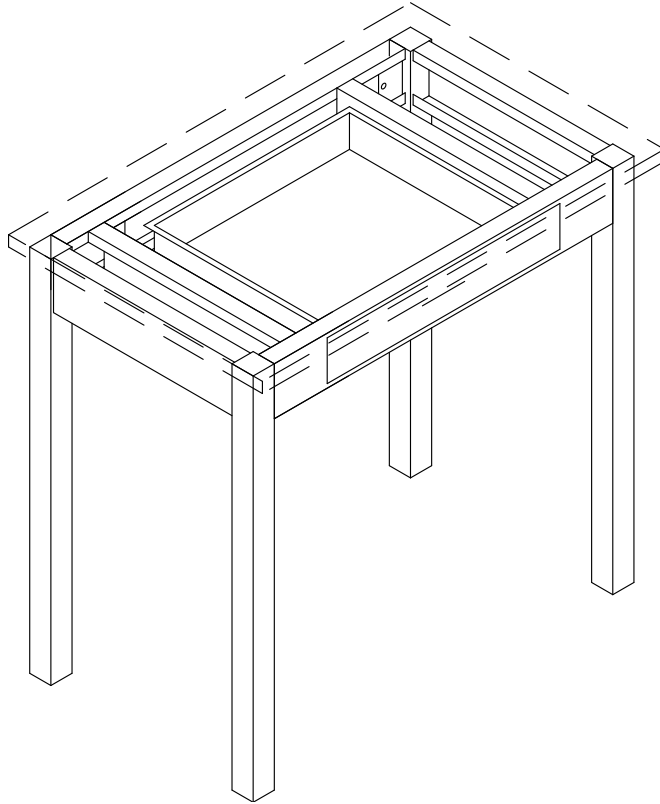
All legs have adjustment bolts and plastic shoes.

Apron is 4 1/2" high.

Tops not included

Standing Height Tables 35 1/4" high

Note: Dimensions shown are actual top sizes—table assembly is 1" less all around.



Tables 24" Deep – 1 Drawer

- TBH-3024-1
- TBH-3624-1
- TBH-4224-1
- TBH-4824-1
- TBH-5424-1
- TBH-6024-1
- TBH-6624-1
- TBH-7224-1

Tables 30" Deep – 1 Drawer

- TBH-3030-1
- TBH-3630-1
- TBH-4230-1
- TBH-4830-1
- TBH-5430-1
- TBH-6030-1
- TBH-6630-1
- TBH-7230-1

Tables 36" Deep – 1 Drawer

- TBH-3636-1
- TBH-4236-1
- TBH-4836-1
- TBH-5436-1
- TBH-6036-1
- TBH-6636-1
- TBH-7236-1

Tables 42" Deep – 1 Drawer

- TBH-4242-1
- TBH-4842-1
- TBH-5442-1
- TBH-6042-1
- TBH-6642-1
- TBH-7242-1

Tables 48" Deep – 1 Drawer

- TBH-4848-1
- TBH-5448-1
- TBH-6048-1
- TBH-6648-1
- TBH-7248-1

Tables, Aprons & Drawers – Table Assemblies

Add **S** to the end of the product number to indicate Stainless Steel. Example: TBA-2422**S**

Add **-C** to the end of the product number to indicate 3" casters (optional). Example: TBA-2422-**C**

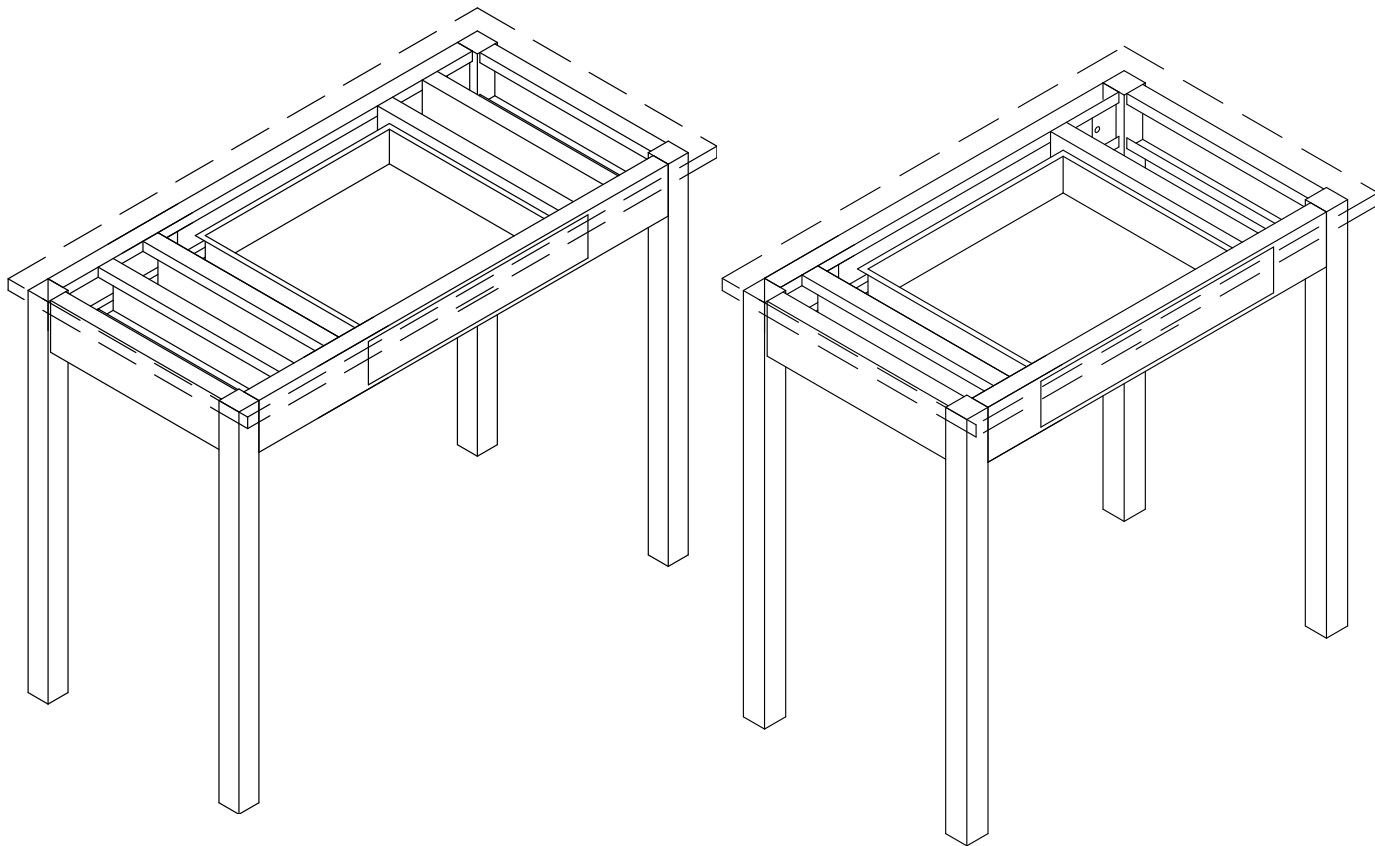
All legs have adjustment bolts and plastic shoes.

Apron is 4 1/2" high.

Tops not included

Sitting Height Tables 28" high

Note: Dimensions shown are actual top sizes—table assembly is 1" less all around.



Tables 24" Deep – 1 Drawer

TBL-3024-1
TBL-3624-1
TBL-4224-1
TBL-4824-1
TBL-5424-1
TBL-6024-1
TBL-6624-1
TBL-7224-1

Tables 30" Deep – 1 Drawer

TBL-3030-1
TBL-3630-1
TBL-4230-1
TBL-4830-1
TBL-5430-1
TBL-6030-1
TBL-6630-1
TBL-7230-1

Tables 36" Deep – 1 Drawer

TBL-3636-1
TBL-4236-1
TBL-4836-1
TBL-5436-1
TBL-6036-1
TBL-6636-1
TBL-7236-1

Tables 42" Deep – 1 Drawer

TBL-4242-1
TBL-4842-1
TBL-5442-1
TBL-6042-1
TBL-6642-1
TBL-7242-1

Tables 48" Deep – 1 Drawer

TBL-4848-1
TBL-5448-1
TBL-6048-1
TBL-6648-1
TBL-7248-1

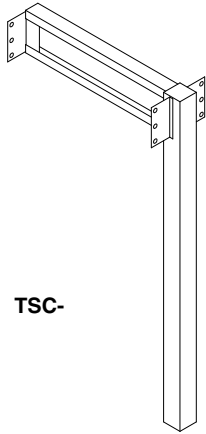
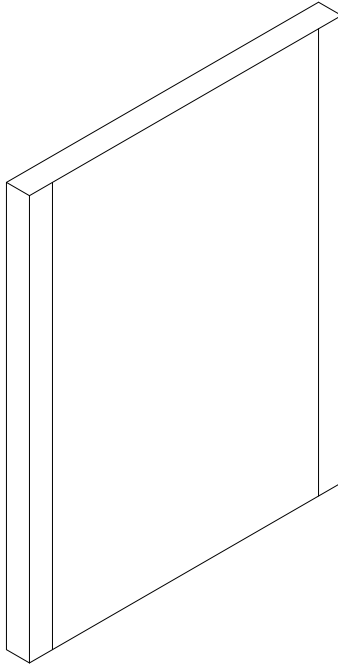
Tables, Aprons & Drawers - Accessories

Add **S** to the end of the product number to indicate Stainless Steel. Example: TBA-2422**S**

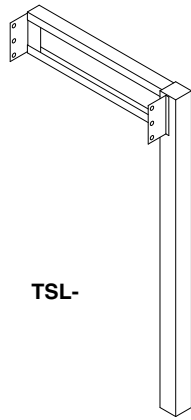
All legs have adjustment bolts and plastic shoes.

Apron is 4 1/2" high.

End Pedestals



TSC-



TSL-

End Pedestal with Bracket

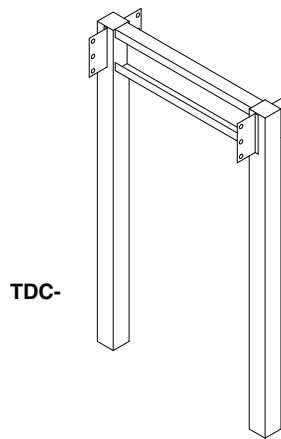
35 1/4" High	32" High	28" High
TPL-3522	TPL-3222	TPL-2822
TPL-3528	TPL-3228	TPL-2828
TPL-3529	TPL-3229	TPL-2829
TPL-3522-2	TPL-3222-2	TPL-2822-2
TPL-3528-2	TPL-3228-2	TPL-2828-2
TPL-3529-2	TPL-3229-2	TPL-2829-2

End Pedestal without Bracket

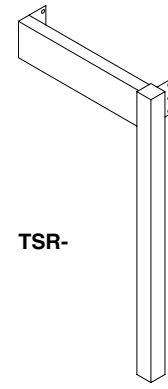
35 1/4" High	32" High	28" High
TPO-3522	TPO-3222	TPO-2822
TPO-3528	TPO-3228	TPO-2828
TPO-3529	TPO-3229	TPO-2829
TPO-3522-2	TPO-3222-2	TPO-2822-2
TPO-3528-2	TPO-3228-2	TPO-2828-2
TPO-3529-2	TPO-3229-2	TPO-2829-2

End Pedestal with Top Mounted Bracket

35 1/4" High	32" High	28" High
TPT-3522	TPT-3222	TPT-2822
TPT-3528	TPT-3228	TPT-2828
TPT-3529	TPT-3229	TPT-2829
TPT-3522-2	TPT-3222-2	TPT-2822-2
TPT-3528-2	TPT-3228-2	TPT-2828-2
TPT-3529-2	TPT-3229-2	TPT-2829-2



TDC-



TSR-

Standing - 35 1/4" ADA - 32"

TSC-35
TSC-3528
TSC-3529
TSC-35-2
TSC-3528-2
TSC-3529-2

TSC-32
TSC-3228
TSC-3229
TSC-32-2
TSC-3228-2
TSC-3229-2

Sitting - 28"

TSC-28
TSC-2828
TSC-2829
TSC-28-2
TSC-2828-2
TSC-2829-2

Standing - 35 1/4" ADA - 32"

TDC-3522
TDC-3528
TDC-3534
TDC-3540
TDC-3546
TDC-3522-2
TDC-3528-2

TDC-3222
TDC-3228
TDC-3234
TDC-3240
TDC-3246
TDC-3222-2
TDC-3228-2

Sitting - 28"

TDC-2822
TDC-2828
TDC-2834
TDC-2840
TDC-2846
TDC-2822-2
TDC-2828-2

Standing - 35 1/4" ADA - 32"

TSL-35
TSL-3528
TSL-3529
TSL-35-2
TSL-3528-2
TSL-3529-2

TSL-32
TSL-3228
TSL-3229
TSL-32-2
TSL-3228-2
TSL-3229-2

Sitting - 28"

TSL-28
TSL-2828
TSL-2829
TSL-28-2
TSL-2828-2
TSL-2829-2

Standing - 35 1/4" ADA - 32"

TSR-3522
TSR-3528
TSR-3529
TSR-3522-2
TSR-3528-2
TSR-3529-2

TSR-3222
TSR-3228
TSR-3229
TSR-3222-2
TSR-3228-2
TSR-3229-2

Sitting - 28"

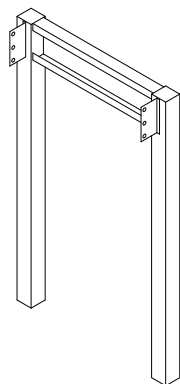
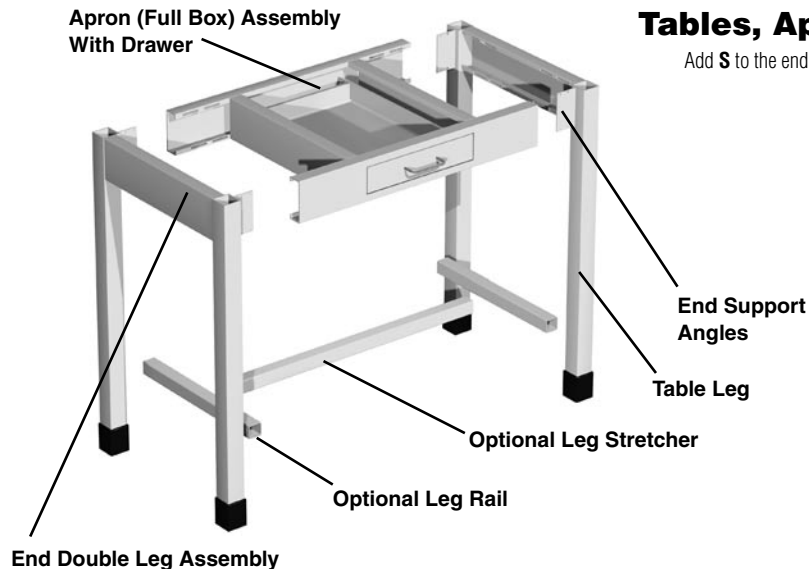
TSR-2822
TSR-2828
TSR-2829
TSR-3222-2
TSR-2828-2
TSR-2829-2

Tables, Aprons & Drawers - Accessories

Add **S** to the end of the product number to indicate Stainless Steel. Example: TBA-2422**S**

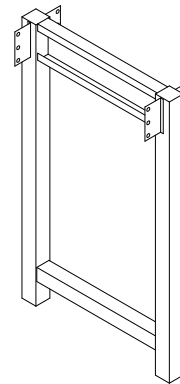
All legs have adjustment bolts and plastic shoes.

Apron is 4 1/2" high.



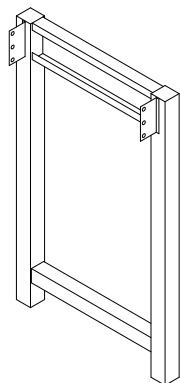
Standing - 35 1/4" ADA - 32" Sitting - 28"

TDL-3522	TDL-3222	TDL-2822
TDL-3528	TDL-3228	TDL-2828
TDL-3534	TDL-3234	TDL-2834
TDL-3540	TDL-3240	TDL-2840
TDL-3546	TDL-3246	TDL-2846
TDL-3522-2	TDL-3222-2	TDL-2822-2
TDL-3528-2	TDL-3228-2	TDL-2828-2



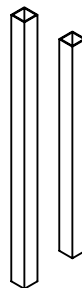
Standing - 35 1/4" ADA - 32" Sitting - 28"

TRC-3522	TRC-3222	TRC-2822
TRC-3528	TRC-3228	TRC-2828
TRC-3534	TRC-3234	TRC-2834
TRC-3540	TRC-3240	TRC-2840
TRC-3546	TRC-3246	TRC-2846
TRC-3522-2	TRC-3222-2	TRC-2822-2
TRC-3528-2	TRC-3228-2	TRC-2828-2



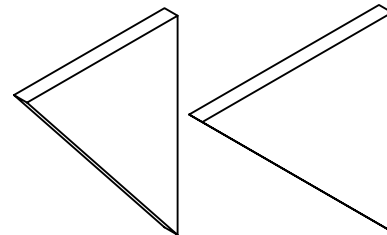
Standing - 35 1/4" ADA - 32" Sitting - 28"

TRL-3522	TRL-3222	TRL-2822
TRL-3528	TRL-3228	TRL-2828
TRL-3534	TRL-3234	TRL-2834
TRL-3540	TRL-3240	TRL-2840
TRL-3546	TRL-3246	TRL-2846
TRL-3522-2	TRL-3222-2	TRL-2822-2
TRL-3528-2	TRL-3228-2	TRL-2828-2



Corner Leg Support

P412
P422



Corner Leg Support

G1DOZ
G3DOZ

This page was intentionally left blank.