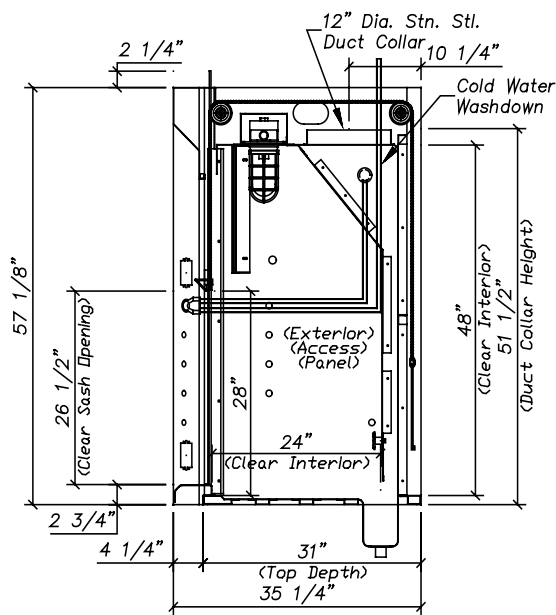


F-500 Perchloric Acid Bench – Frameless Vertical Sash

The **ISOLATOR** perchloric acid fume hood with a frameless vertical sash features a type 316 stainless steel liner and baffles with coving on all containment chamber corners. Also included is a washdown system designed to carry away potentially explosive perchloric acid salts through a 4" to 5 3/4" sloped trench with a single drain. The **ISOLATOR**'s design and construction enhances its value by providing:

- Unparalleled user safety
- Full hood access for easy set ups
- Years of maintenance free service
- Unmatched ease of use
- Unique design qualities for unlimited customization possibilities
- Field conversion between Constant Air Volume (CAV) and Variable Air Volume (VAV)

***SPECIAL NOTES:** Perchloric hoods attached to long runs of ductwork require solenoid activated, electronically sequenced spray head activation to assure the flow rate into the fume hood washdown trench never exceeds the 45 GPM overflow rate. Any blower purchased to exhaust this hood should have internal washdown capability and be lubricated with fluorocarbon grease and oil.



F-500 Perchloric Acid Bench Features

- Unsurpassed containment (designed and tested to exceed ASHRAE 110-1995)
- Unique chain driven sash mechanism that comes with a lifetime warranty
- Galvanized steel pan superstructure
- Transparent viewpass bypass system
- Stainless steel air foil
- Aerodynamically designed airplane wing style sash handle enhances the perimeter containment
- Integral type 316 stainless steel worktop with trench drain and washdown setup
- A perforated PVC washdown bar, water valve and remote knob assembly
- Vertical sashes provide the greatest hood interior access
- Full view frameless sash with 26 1/2" opening
- Quality engineering ensures years of reliable service

F-500 Series – Perchloric Hoods – Ordering Information**F-500 Perchloric Acid Bench Air Flow Data**

Catalog Number	Duct Diameter	28" Open @ 100 FPM	18" Open @ 100 FPM
F-500-36	1 : 10"	505 CFM @ .15" SP	325 CFM @ .06" SP
F-500-48	1 : 10"	739 CFM @ .32" SP	475 CFM @ .13" SP
F-500-60	1 : 12"	972 CFM @ .27" SP	625 CFM @ .11" SP
F-500-72	1 : 12"	1205 CFM @ .41" SP	775 CFM @ .17" SP
F-500-96	2 : 10"	1672 CFM @ .41" SP	1075 CFM @ .17" SP

F-500 Perchloric Acid Bench Product Numbers

F-500-36	Perchloric 36"	Frameless with washdown
F-500-48	Perchloric 48"	Frameless with washdown
F-500-60	Perchloric 60"	Frameless with washdown
F-500-72	Perchloric 72"	Frameless with washdown
F-500-96	Perchloric 96"	Frameless with washdown

F-500 Perchloric Acid Bench Liner Options

The liner material is 16 gauge type 31 stainless steel liner with coved corners.

F-500 Perchloric Acid Bench Electrical Options

Fascia is pre-punched with two electrical cutouts (four cutouts total). Please see the **Electrical Fixtures** section for available options.

F-500 Perchloric Acid Bench Plumbing Fixtures

Fascia is pre-punched with five 3/4" dia. holes to accept rod driven remote fixtures (ten holes total). Please see the **Plumbing Fixtures** section for available options.

Note: Valves are pre-piped to the top of the fume hood.

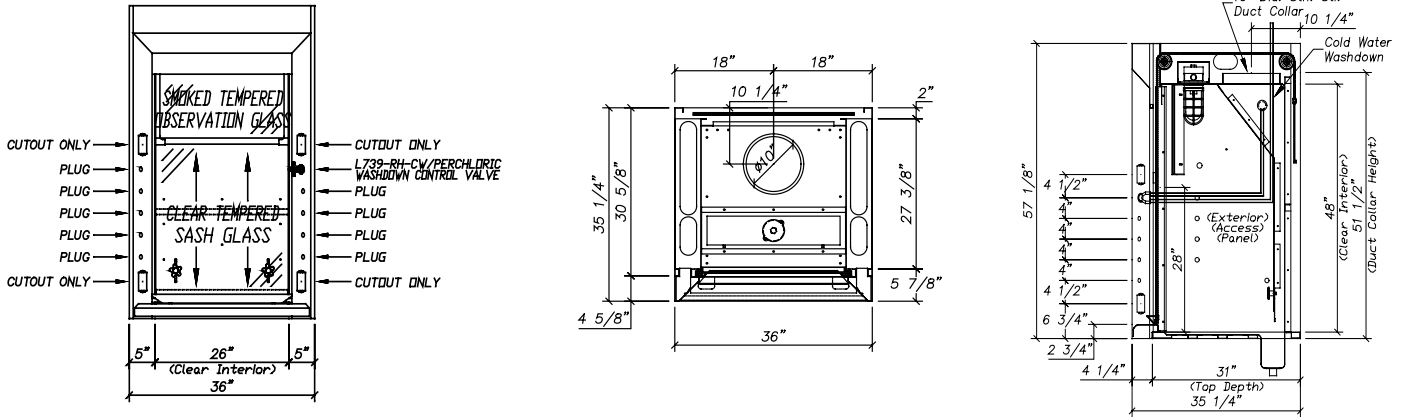
F-500 Perchloric Acid Bench Fume Hood Accessories

Please see the **Fume Hood Accessories** section for available options.

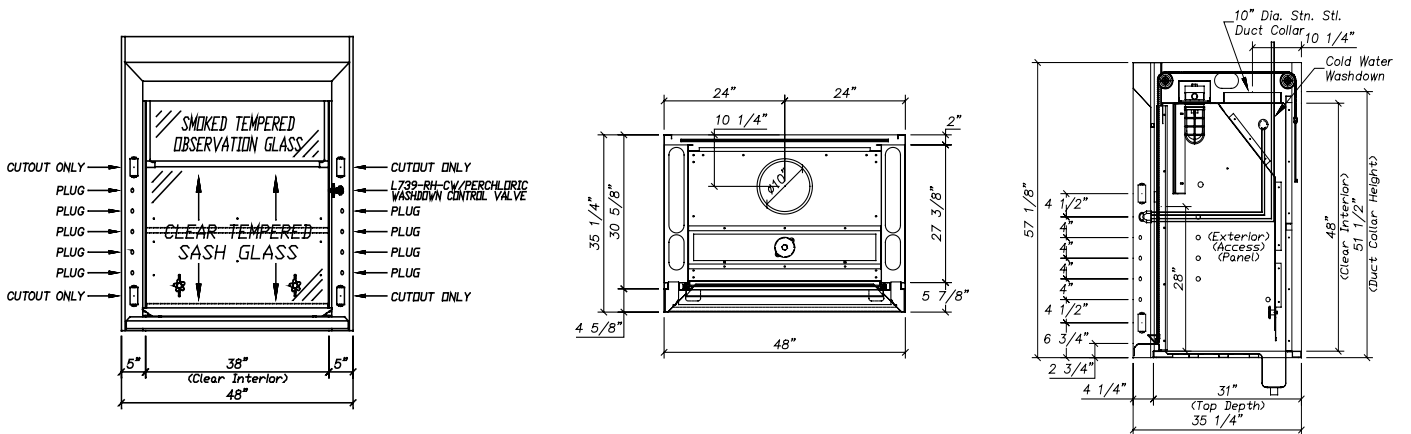
F-500 Series - Perchloric Acid Bench - Product Dimensions

F-500 Series - Perchloric Acid Bench - Product Dimensions

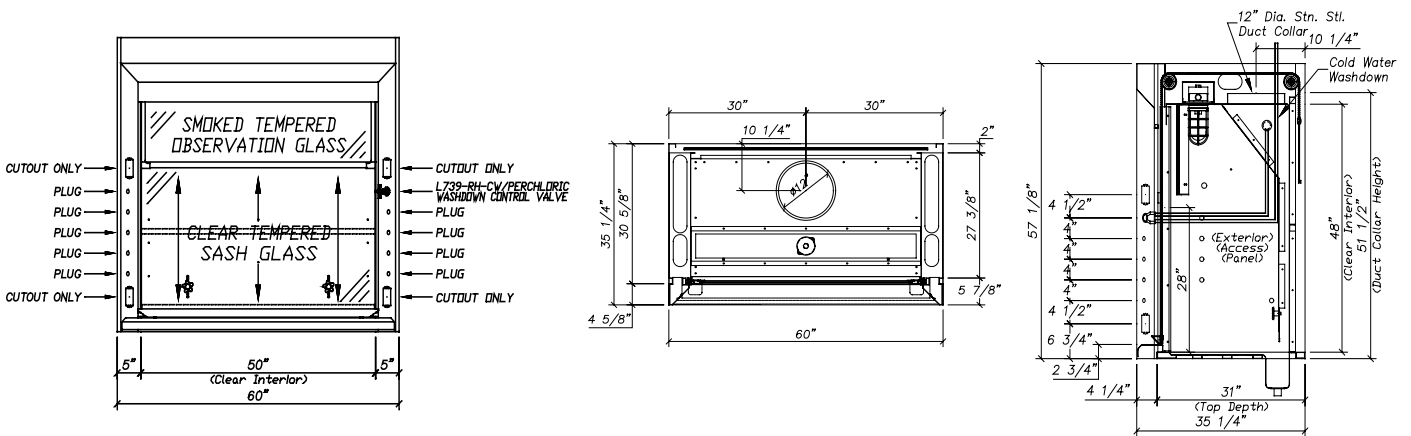
F-500-36 - 36" Perchloric Acid Bench



F-500-48 - 48" Perchloric Acid Bench

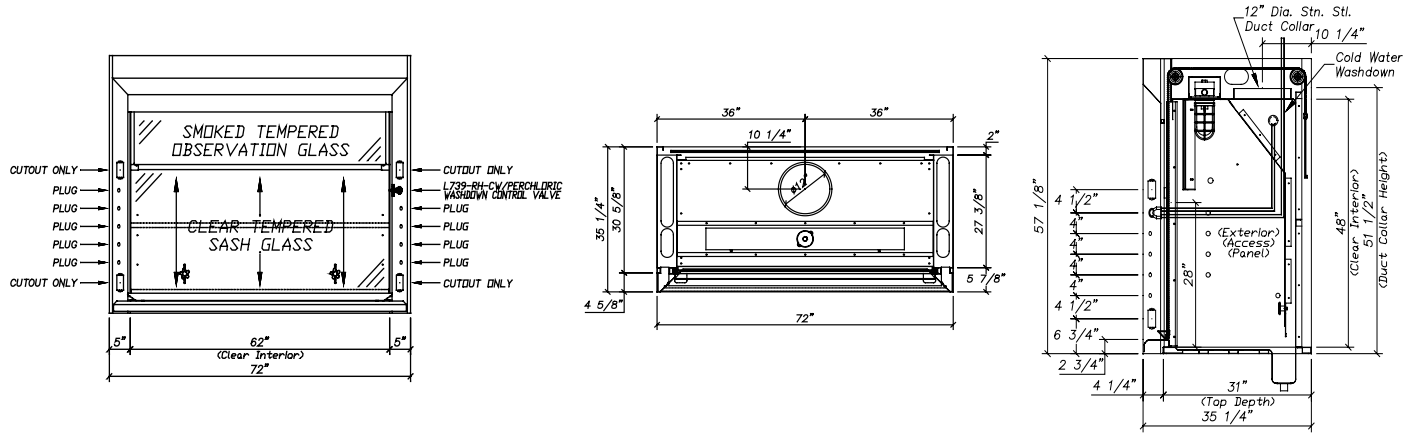


F-500-60 - 60" Perchloric Acid Bench

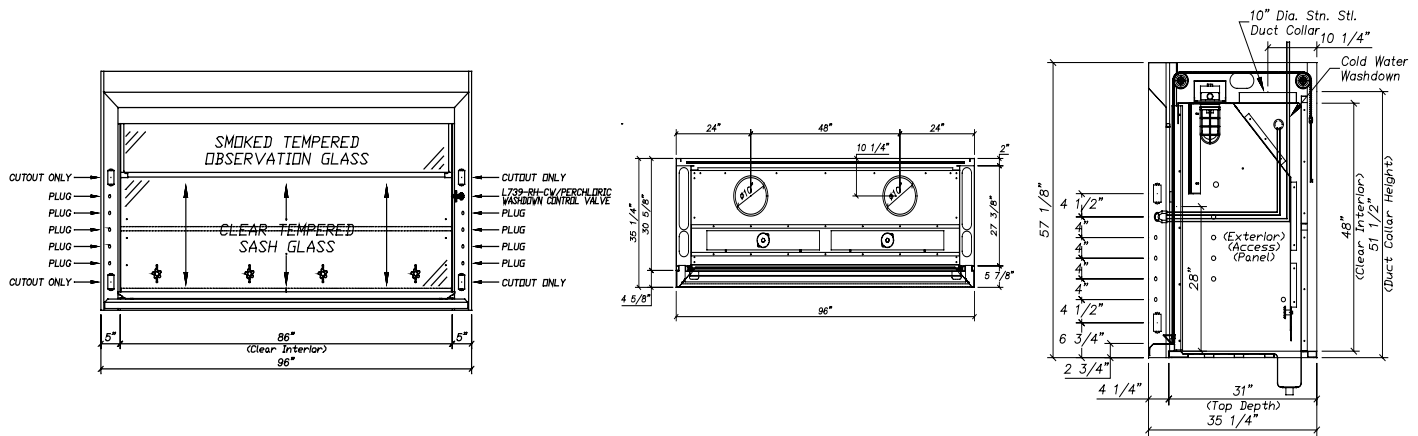


F-500 Series - Perchloric Acid Bench - Product Dimensions

F-500-72 - 72" Perchloric Acid Bench



F-500-96 - 96" Perchloric Acid Bench

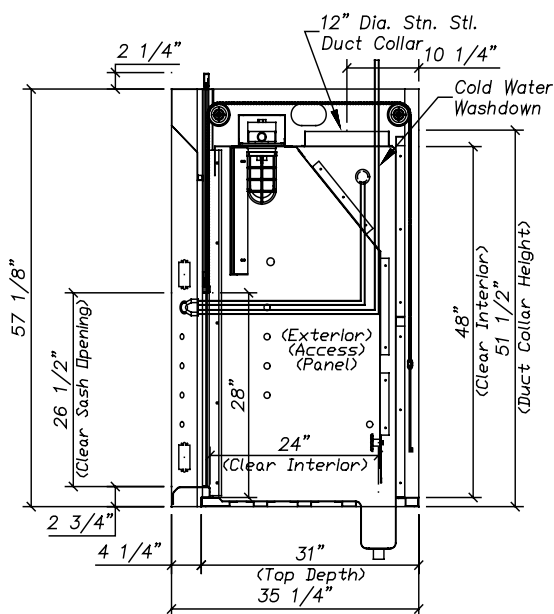


F-503 Perchloric Acid Bench – Framed Vertical Sash

The **ISOLATOR** perchloric acid fume hood with a framed vertical sash features a type 316 stainless steel liner and baffles with coving on all containment chamber corners. Also included is a washdown system designed to carry away potentially explosive perchloric acid salts through a 4" to 5 3/4" sloped trench with a single drain. The **ISOLATOR**'s design and construction enhances its value by providing:

- Unparalleled user safety
- Full hood access for easy set ups
- Years of maintenance free service
- Unmatched ease of use
- Unique design qualities for unlimited customization possibilities
- Field conversion between Constant Air Volume (CAV) and Variable Air Volume (VAV)

***SPECIAL NOTES:** Perchloric hoods attached to long runs of ductwork require solenoid activated, electronically sequenced spray head activation to assure the flow rate into the fume hood washdown trench never exceeds the 45 GPM overflow rate. Any blower purchased to exhaust this hood should have internal washdown capability and be lubricated with fluorocarbon grease and oil.



F-503 Perchloric Acid Bench Features

- Unsurpassed containment (designed and tested to exceed ASHRAE 110-1995)
- Unique chain driven sash mechanism that comes with a lifetime warranty
- Galvanized steel pan superstructure
- Transparent viewpass bypass system
- Stainless steel air foil
- Integral type 316 stainless steel worktop with trench drain and washdown setup
- A perforated PVC washdown bar, water valve and remote knob assembly
- Vertical sashes provide the greatest hood interior access
- Full view frameless sash with 26 1/2" opening
- Quality engineering ensures years of reliable service

F-500 Series – Perchloric Hoods – Ordering Information**F-503 Perchloric Acid Bench Air Flow Data**

Catalog Number	Duct Diameter	28" Open @ 100 FPM	18" Open @ 100 FPM
F-503-36	1 : 10"	505 CFM @ .15" SP	325 CFM @ .06" SP
F-503-48	1 : 10"	739 CFM @ .32" SP	475 CFM @ .13" SP
F-503-60	1 : 12"	972 CFM @ .27" SP	625 CFM @ .11" SP
F-503-72	1 : 12"	1205 CFM @ .41" SP	775 CFM @ .17" SP
F-503-96	2 : 10"	1672 CFM @ .41" SP	1075 CFM @ .17" SP

F-503 Perchloric Acid Bench Product Numbers

F-503-36	Perchloric 36"	Framed with washdown
F-503-48	Perchloric 48"	Framed with washdown
F-503-60	Perchloric 60"	Framed with washdown
F-503-72	Perchloric 72"	Framed with washdown
F-503-96	Perchloric 96"	Framed with washdown

F-503 Perchloric Acid Bench Liner Options

The liner material is 16 gauge type 316 stainless steel liner with coved corners.

F-503 Perchloric Acid Bench Electrical Options

Fascia is pre-punched with two electrical cutouts (four cutouts total). Please see the **Electrical Fixtures** section for available options.

F-503 Perchloric Acid Bench Plumbing Fixtures

Fascia is pre-punched with five 3/4" dia. holes to accept rod driven remote fixtures (ten holes total). Please see the **Plumbing Fixtures** section for available options.

Note: Valves are pre-piped to the top of the fume hood.

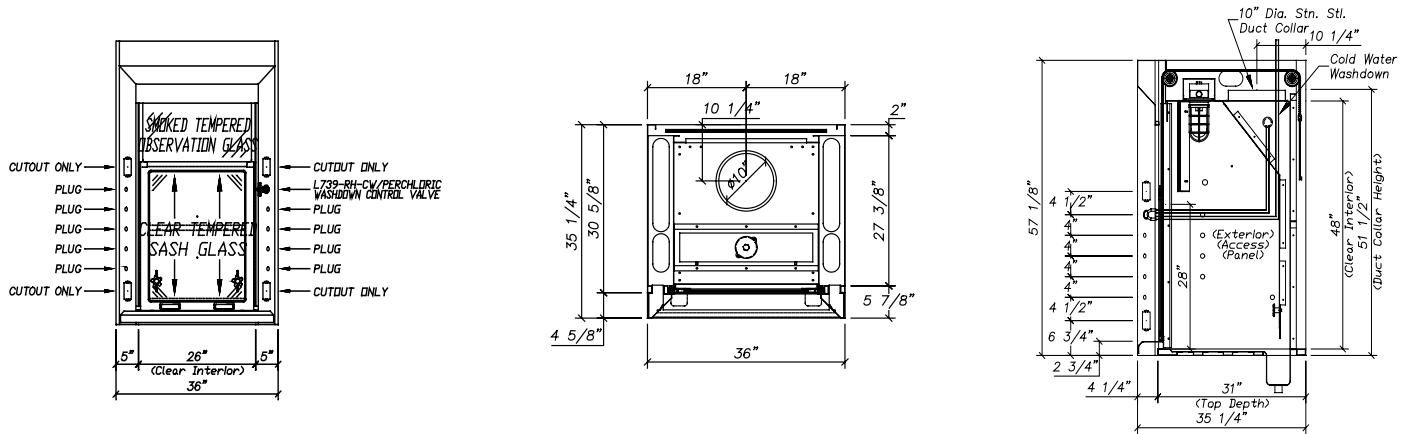
F-503 Perchloric Acid Bench Fume Hood Accessories

Please see the **Fume Hood Accessories** section for available options.

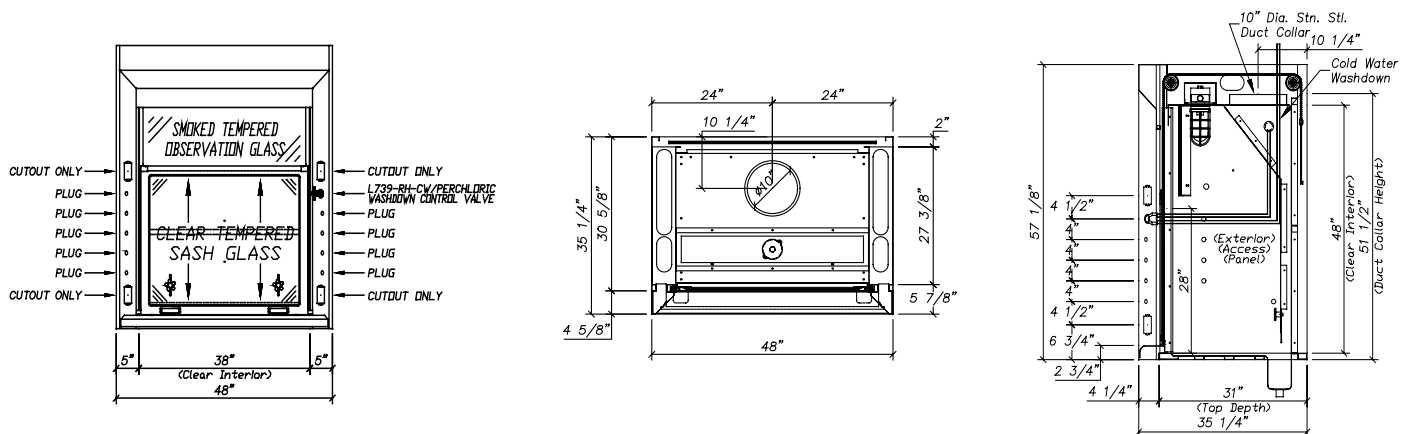
F-500 Series - Perchloric Acid Bench - Product Dimensions

F-500 Series - Perchloric Acid Bench - Product Dimensions

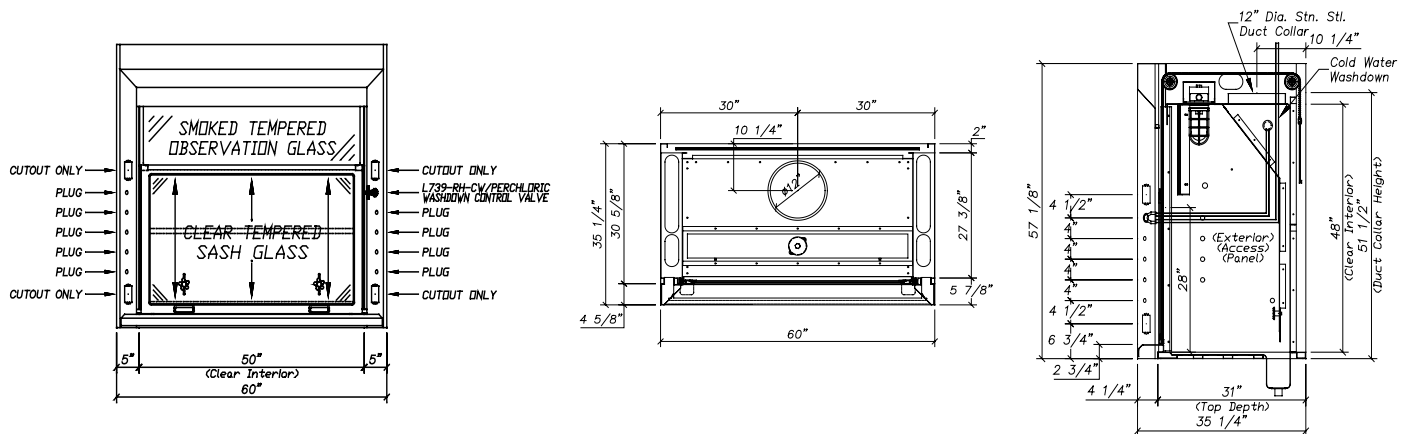
F-503-36 - 36" Perchloric Acid Bench



F-503-48 - 48" Perchloric Acid Bench

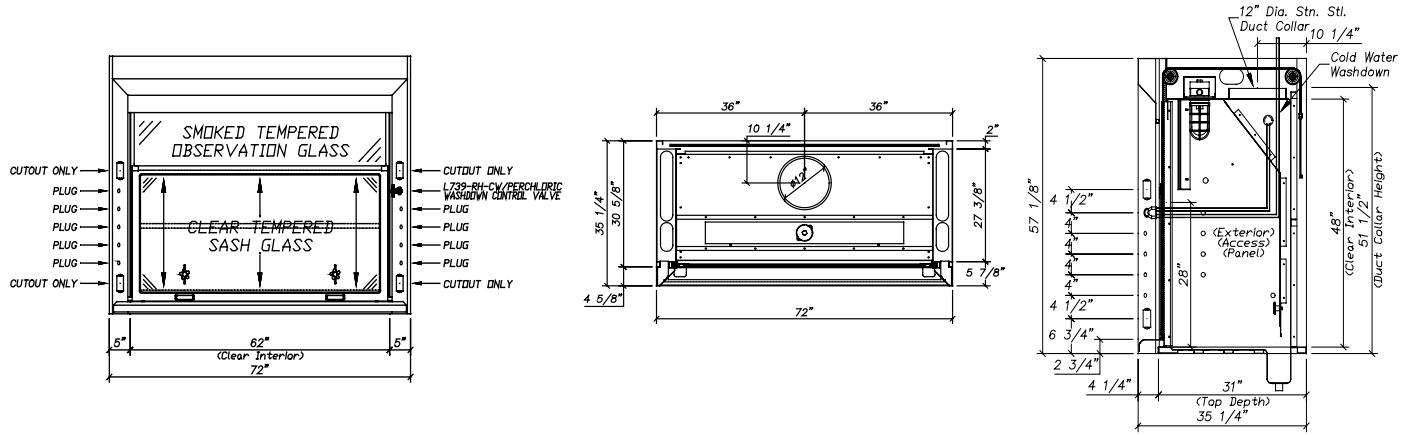


F-503-60 - 60" Perchloric Acid Bench



F-500 Series - Perchloric Acid Bench - Product Dimensions

F-503-72 - 72" Perchloric Acid Bench



F-503-96 - 96" Perchloric Acid Bench

