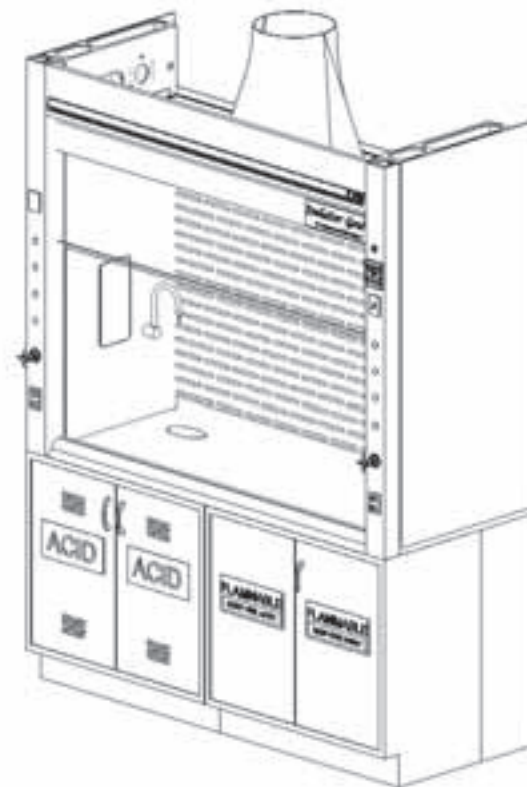


F-350 Series – Isolator<sup>3</sup>\* High Performance Bench Hood – Frameless Sash

The ISOLATOR<sup>3</sup> High Performance Fume Hood is designed with energy conservation in mind and is ideally suited for environments in which less volume of air is desired. The JMP ISOLATOR<sup>3</sup> fume hood has been independently tested using a modified ASHRAE 100-1995 test protocol, and proven to perform at face velocities of between 60 and 63 fpm, without auxiliary devices, as opposed to the traditional 100 FPM. A fan-generated cross-draft of a constant 58 FPM, as measured behind the head of the mannequin, is directed parallel to the face of the fume hood during the test. This places the hood under extreme conditions beyond normal ASHRAE 110-1995 testing protocol. As with all Jamestown Metal Product fume hoods, safety is our primary concern.

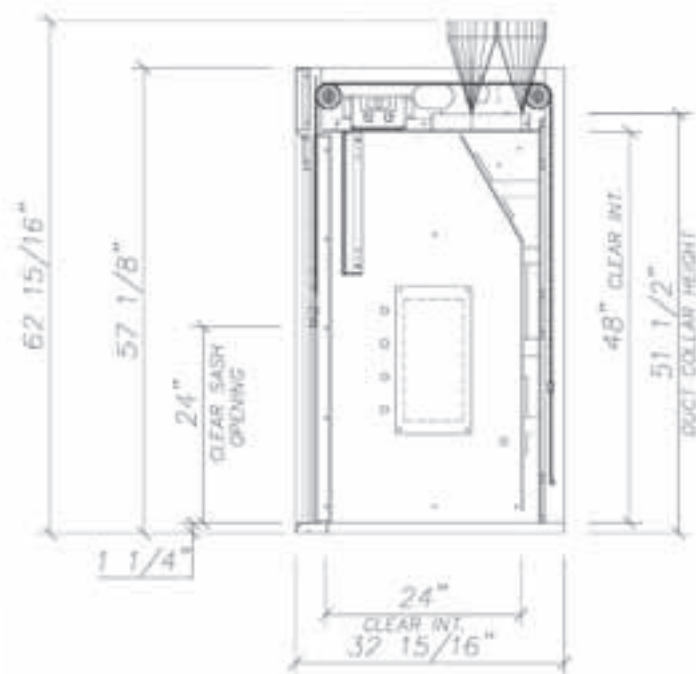
- Quality engineering ensures years of reliable service.
- Unsurpassed containment (designed and tested to exceed ASHRAE 110-1995)
- Bypass designed for CAV operation. A restricted bypass for VAV (Variable Air Volume) operation is optional
- Hoods available in “Knock Down” KD mode for transport and assembly in restricted areas

\*ISOLATOR3 (Cubed)



## F-350 High Performance Hood Standard Features

- Flush lower airfoil, epoxy painted to match
- Epoxy painted steel lower spill trough
- Flat front fascias
- Tempered safety glass
- Stainless steel transition to 12” diameter duct collar
- 24” clear sash opening for ease of setups
- Unique chain driven sash mechanism that comes with a lifetime warranty
- Robust epoxy painted steel pan superstructure
- Spring returns to 18”, optional.
- Defeatable sash stops at 18”, standard.



F-300 Series – Isolator<sup>3</sup> Bench Fume Hoods – Ordering Information

## F-350 High Performance Bench Hood Air Flow Data

Catalog Number	Duct Size	24" Vertical Open @ 60 FPM	18" Vertical Open @ 80 FPM
F-350-48G5	1 : 12"	380 CFM @ .04" SP	380 CFM @ .04" SP
F-350-60G5	1 : 12"	500 CFM @ .06" SP	500 CFM @ .06" SP
F-350-72G5	1 : 12"	651 CFM @ .09" SP	651 CFM @ .09" SP
F-350-96G5	2 : 12"	860 CFM @ .10" SP	860 CFM @ .10" SP

## F-350 High Performance Bench Hood Product Numbers

F-350-48G5	ISOLATOR <sup>3</sup> Bench 48"	Frameless Sash
F-350-60G5	ISOLATOR <sup>3</sup> Bench 60"	Frameless Sash
F-350-72G5	ISOLATOR <sup>3</sup> Bench 72"	Frameless Sash
F-350-96G5	ISOLATOR <sup>3</sup> Bench 96"	Frameless Sash

## F-350 High Performance Bench Hood Liner Options

White Polyglass is standard. Please see the Hood Liners section for available options.

## F-350 High Performance Bench Hood Electrical Options

Fascia is pre-punched with two electrical cutouts (four cutouts total). Please see the Electrical Fixtures section for available options.

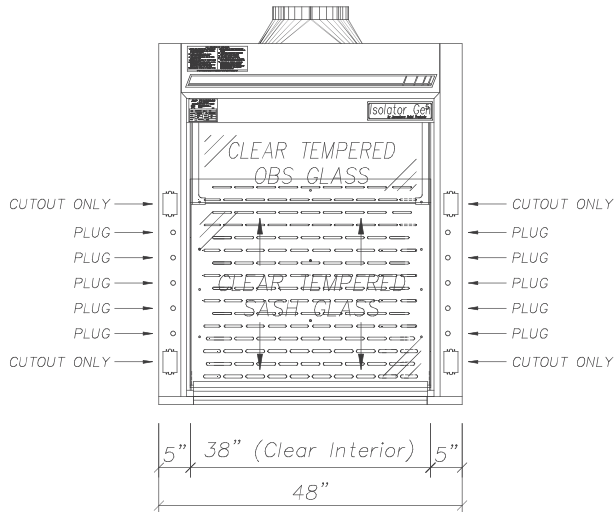
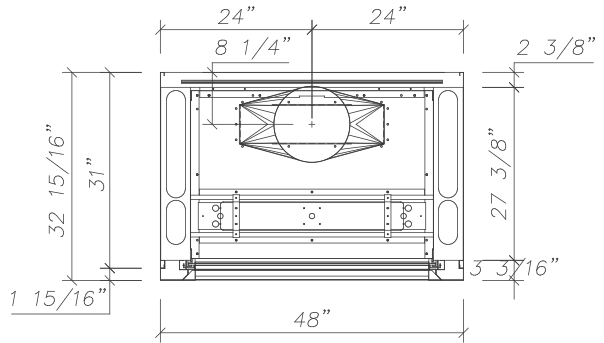
## F-350 High Performance Bench Hood Plumbing Fixtures

Fascia is pre-punched with five 3/4" dia. holes to accept rod driven remote fixtures (ten holes total). Please see the Plumbing Fixtures section for available options.

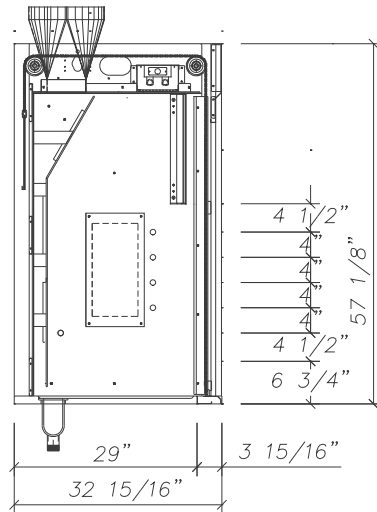
## F-350 High Performance Bench Hood Fume Hood Accessories

Please see the Fume Hood Accessories section for available options.

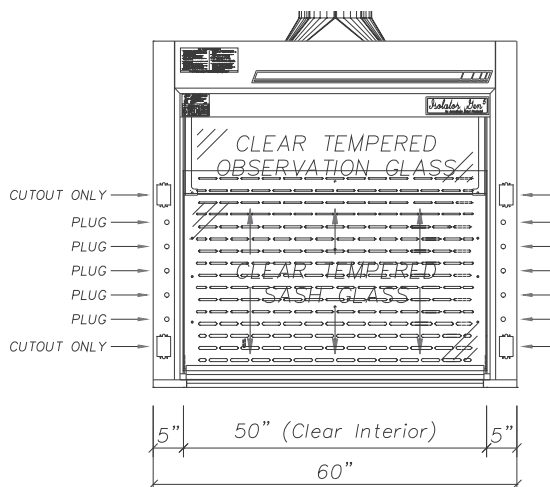
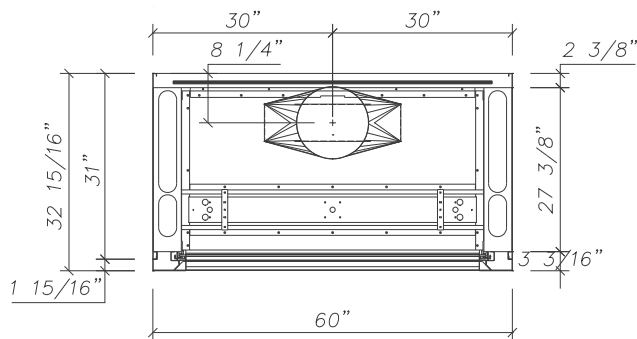
F-350-48G5 - 48" Isolator<sup>3</sup> Bench Fume Hood - Frameless Sash



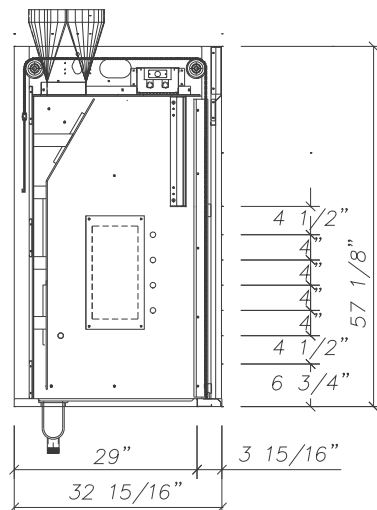
R.H. INTERIOR SECTION VIEW



F-350-60G5 - 60" Isolator<sup>3</sup> Bench Fume Hood - Frameless Sash

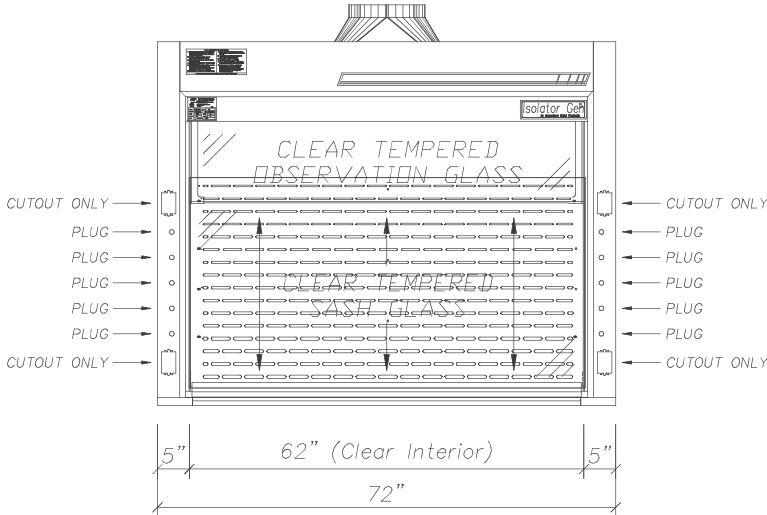
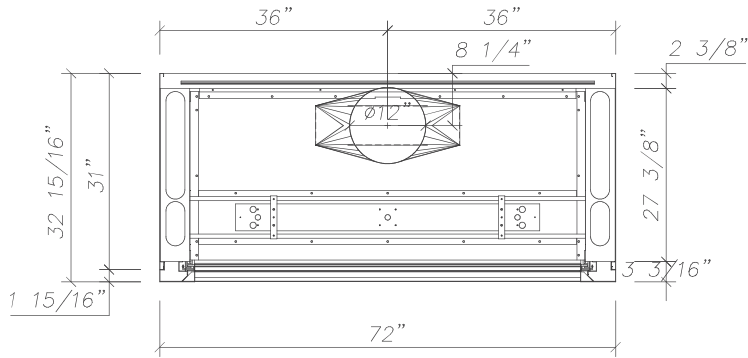


R.H. INTERIOR SECTION VIEW

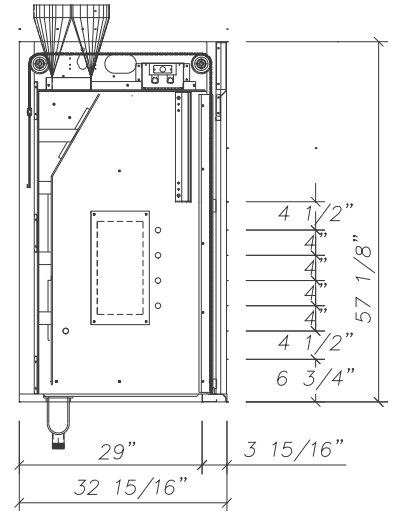


## F-300 Series – Isolator<sup>3</sup> Bench Fume Hoods – Product Dimensions

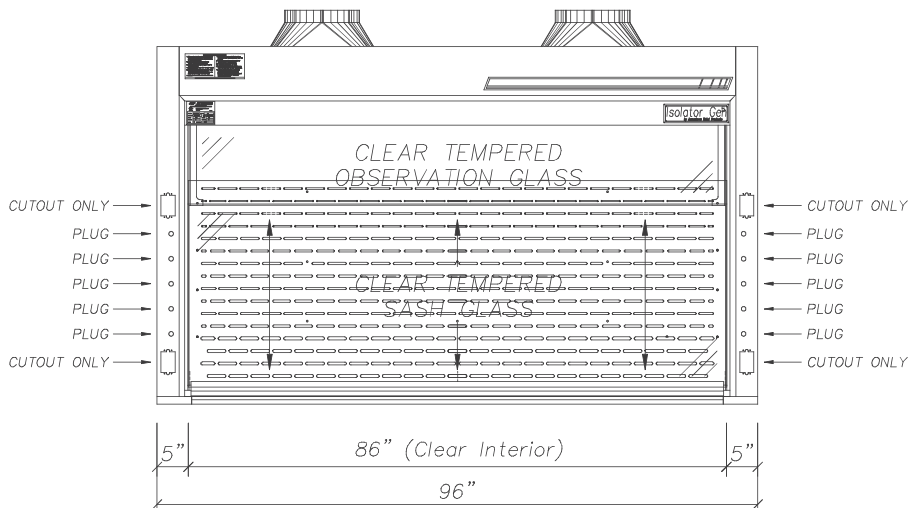
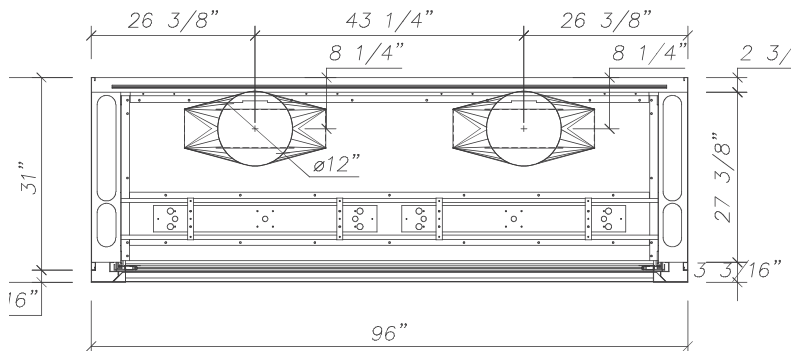
### F-350-72G5 - 72" Isolator<sup>3</sup> Bench Fume Hood - Frameless Sash



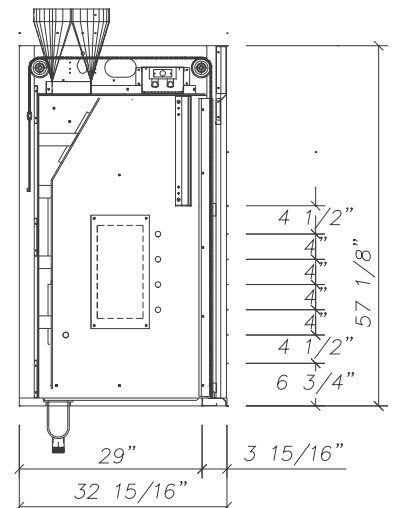
R.H. INTERIOR SECTION VIEW



### F-350-96G5 - 96" Isolator<sup>3</sup> Bench Fume Hood - Frameless Sash



R.H. INTERIOR SECTION VIEW

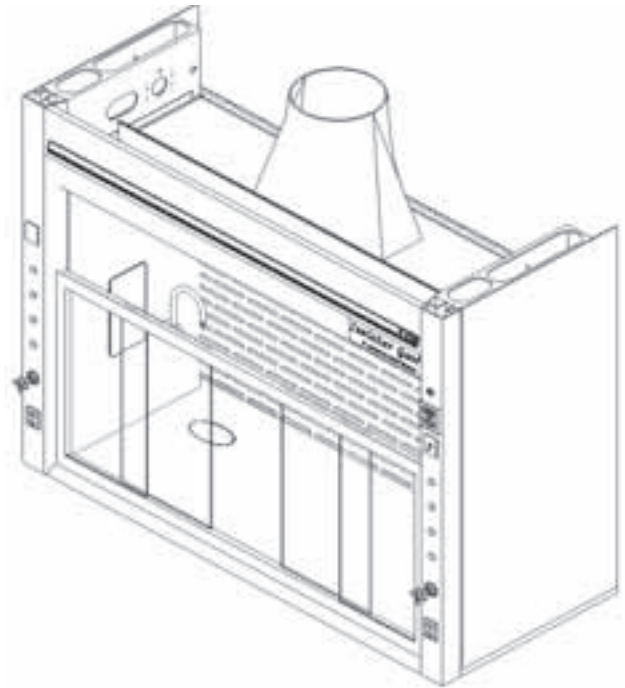


F-351 Series – Isolator<sup>3</sup>\* High Performance Bench Hood – Combination Sash

The ISOLATOR<sup>3</sup> High Performance Fume Hood is designed with energy conservation in mind and is ideally suited for environments in which less volume of air is desired. The JMP ISOLATOR<sup>3</sup> fume hood has been independently tested using a modified ASHRAE 100-1995 test protocol, and proven to perform at face velocities of between 60 and 63 fpm, without auxiliary devices, as opposed to the traditional 100 FPM. A fan-generated cross-draft of a constant 58 FPM, as measured behind the head of the mannequin, is directed parallel to the face of the fume hood during the test. This places the hood under extreme conditions beyond normal ASHRAE 110-1995 testing protocol. As with all Jamestown Metal Product fume hoods, safety is our primary concern.

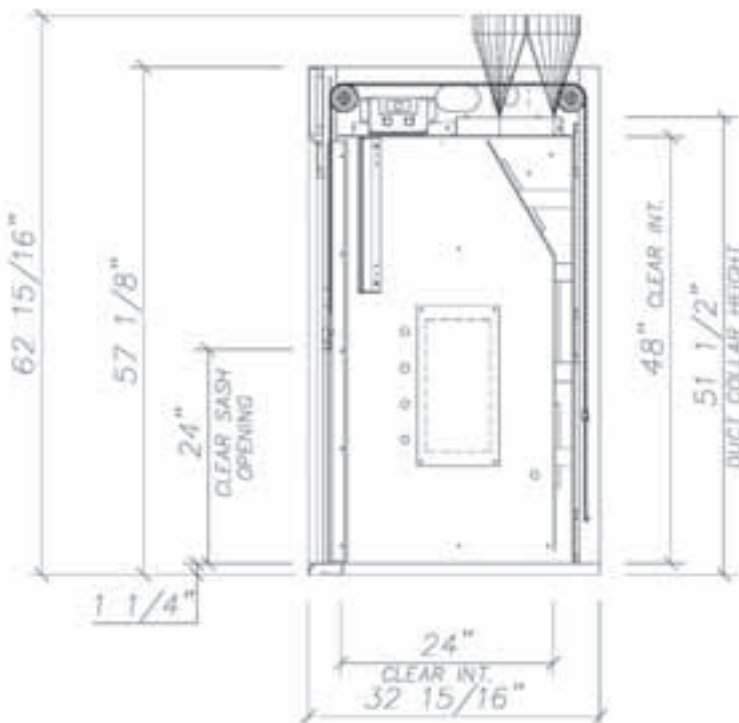
- Quality engineering ensures years of reliable service.
- Unsurpassed containment (designed and tested to exceed ASHRAE 110-1995)
- Bypass designed for CAV operation. A restricted bypass for VAV (Variable Air Volume) operation is optional
- Hoods available in “Knock Down” KD mode for transport and assembly in restricted areas

\*ISOLATOR3 (Cubed)



F-351 High Performance Hood Standard Features

- Flush lower airfoil, epoxy painted to match
- Epoxy painted steel lower spill trough
- Flat front fascias
- Tempered safety glass
- Stainless steel transition to 12” diameter duct collar
- 24” clear sash opening for ease of setups
- Unique chain driven sash mechanism that comes with a lifetime warranty
- Robust epoxy painted steel pan superstructure
- Spring returns to 18”, optional.
- Defeatable sash stops at 18”, standard.



F-300 Series - Isolator<sup>3</sup> Bench Fume Hoods - Ordering Information

## F-351 High Performance Bench Hood Air Flow Data

Catalog Number	Duct Size	24" Vertical Open @ 60 FPM	18" Vertical Open @ 80 FPM
F-351-48G5	1 : 12"	380 CFM @ .04" SP	380 CFM @ .04" SP
F-351-60G5	1 : 12"	500 CFM @ .06" SP	500 CFM @ .06" SP
F-351-72G5	1 : 12"	651 CFM @ .09" SP	651 CFM @ .09" SP
F-351-96G5	2 : 12"	860 CFM @ .10" SP	860 CFM @ .10" SP

## F-351 High Performance Bench Hood Product Numbers

F-351-48G5	ISOLATOR <sup>3</sup> Bench 48"	Combination Sash
F-351-60G5	ISOLATOR <sup>3</sup> Bench 60"	Combination Sash
F-351-72G5	ISOLATOR <sup>3</sup> Bench 72"	Combination Sash
F-351-96G5	ISOLATOR <sup>3</sup> Bench 96"	Combination Sash

## F-351 High Performance Bench Hood Liner Options

White Polyglass is standard. Please see the Hood Liners section for available options.

## F-351 High Performance Bench Hood Electrical Options

Fascia is pre-punched with two electrical cutouts (four cutouts total). Please see the Electrical Fixtures section for available options.

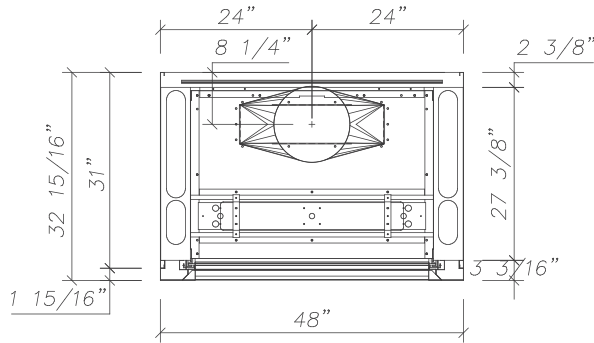
## F-351 High Performance Bench Hood Plumbing Fixtures

Fascia is pre-punched with five 3/4" dia. holes to accept rod driven remote fixtures (ten holes total). Please see the Plumbing Fixtures section for available options.

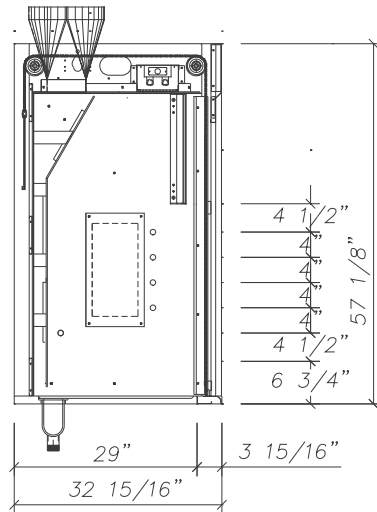
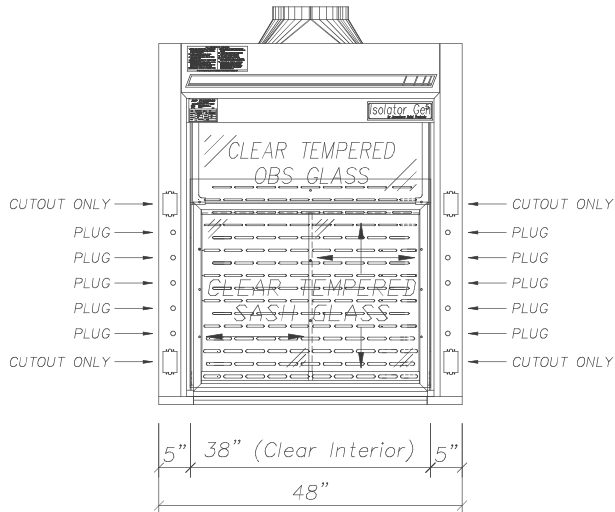
## F-351 High Performance Bench Hood Fume Hood Accessories

Please see the Fume Hood Accessories section for available options.

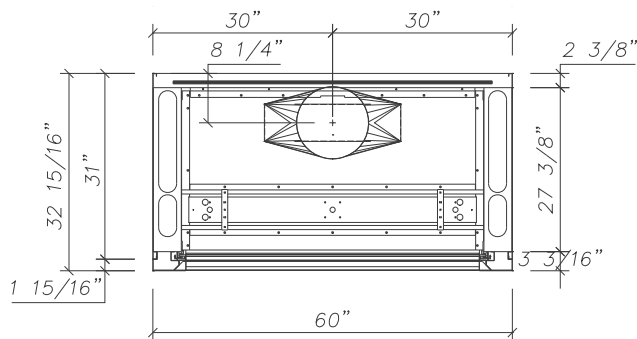
F-351-48G5 - 48" Isolator<sup>3</sup> Bench Fume Hood - Combination Sash



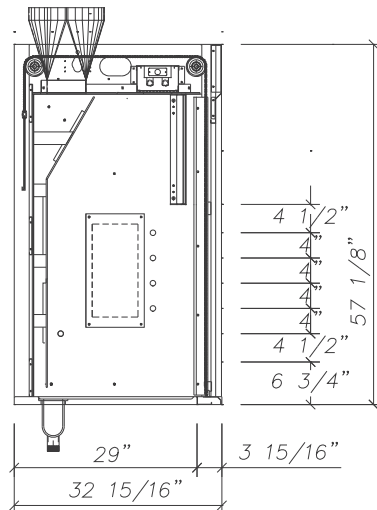
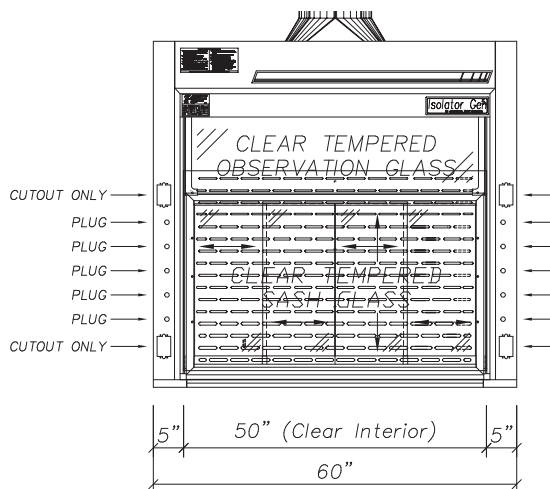
R.H. INTERIOR SECTION VIEW



F-351-60G5 - 60" Isolator<sup>3</sup> Bench Fume Hood - Combination Sash



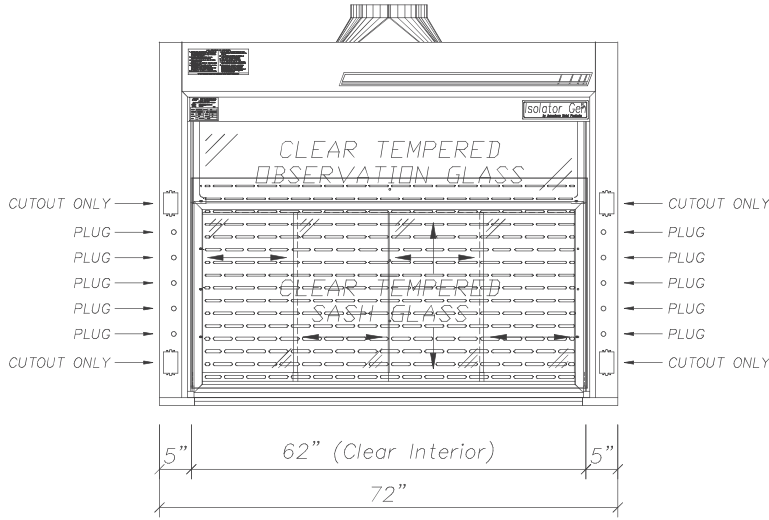
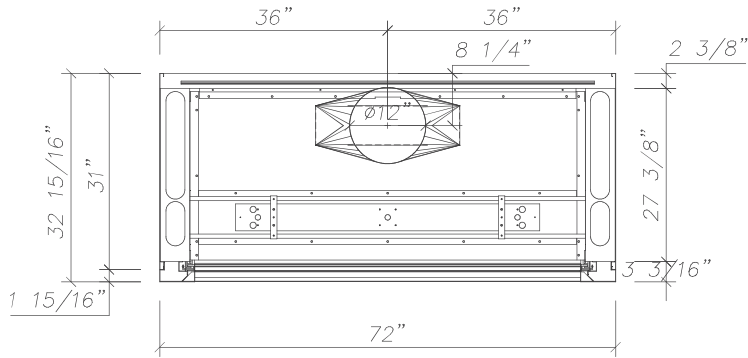
R.H. INTERIOR SECTION VIEW



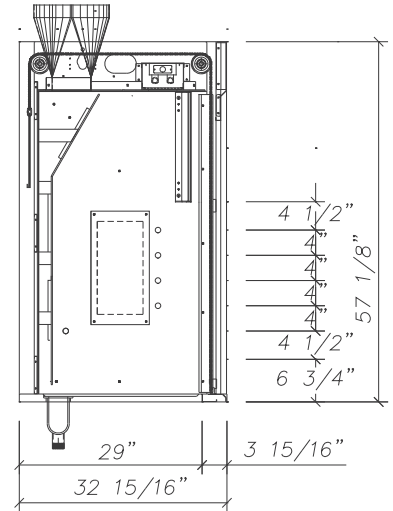


# F-300 Series – Isolator<sup>3</sup> Bench Fume Hoods – Product Dimensions

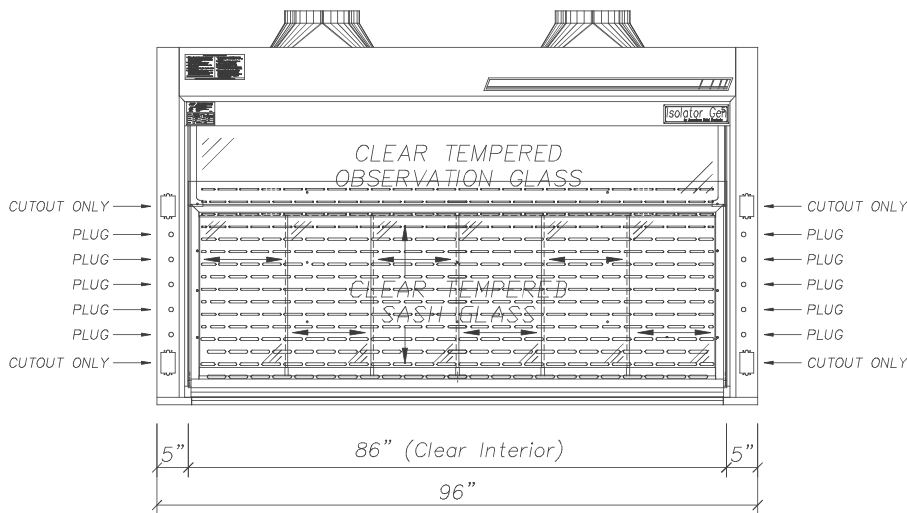
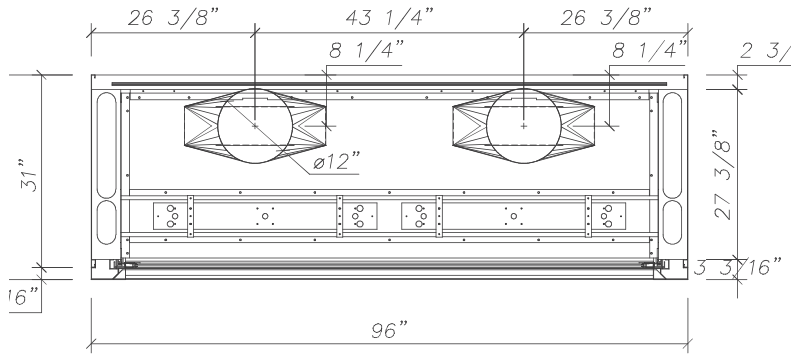
## F-351-72G5 - 72" Isolator<sup>3</sup> Bench Fume Hood - Combination Sash



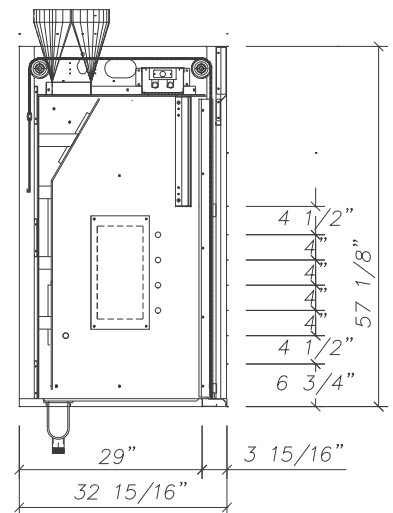
R.H. INTERIOR SECTION VIEW



## F-351-96G5 - 96" Isolator<sup>3</sup> Bench Fume Hood - Combination Sash



R.H. INTERIOR SECTION VIEW



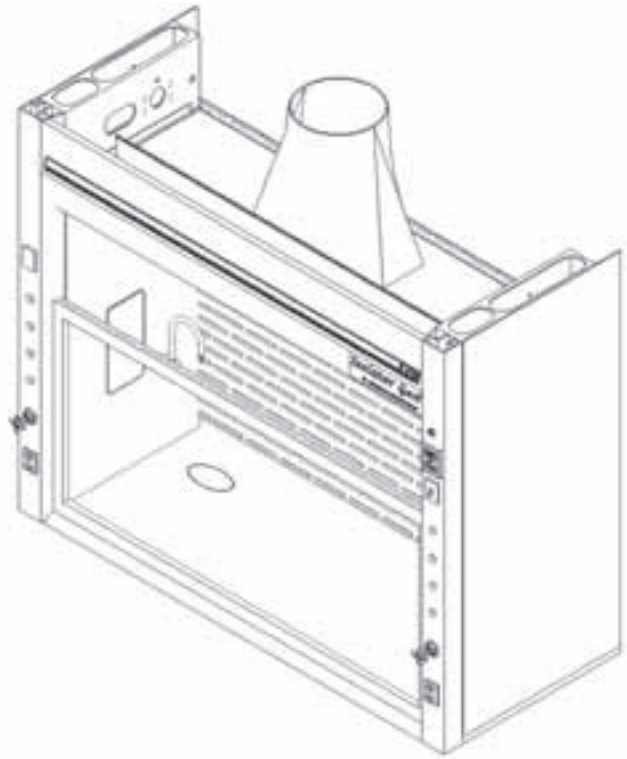


F-353 Series – Isolator<sup>3</sup>\* High Performance Bench Hood – Frameless Sash

The ISOLATOR<sup>3</sup> High Performance Fume Hood is designed with energy conservation in mind and is ideally suited for environments in which less volume of air is desired. The JMP ISOLATOR<sup>3</sup> fume hood has been independently tested using a modified ASHRAE 100-1995 test protocol, and proven to perform at face velocities of between 60 and 63 fpm, without auxiliary devices, as opposed to the traditional 100 FPM. A fan-generated cross-draft of a constant 58 FPM, as measured behind the head of the mannequin, is directed parallel to the face of the fume hood during the test. This places the hood under extreme conditions beyond normal ASHRAE 110-1995 testing protocol. As with all Jamestown Metal Product fume hoods, safety is our primary concern.

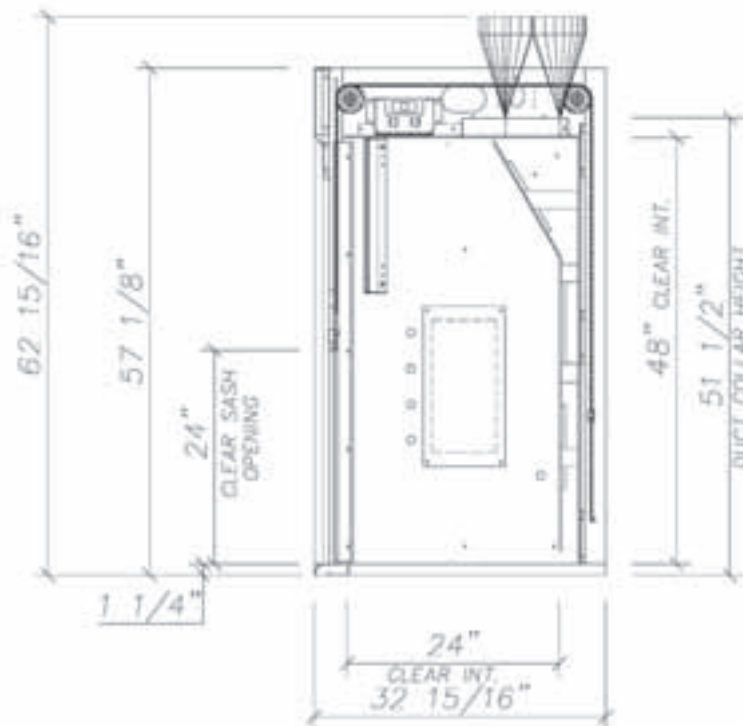
- Quality engineering ensures years of reliable service.
- Unsurpassed containment (designed and tested to exceed ASHRAE 110-1995)
- Bypass designed for CAV operation. A restricted bypass for VAV (Variable Air Volume) operation is optional
- Hoods available in “Knock Down” KD mode for transport and assembly in restricted areas

\*ISOLATOR3 (Cubed)



## F-353 High Performance Hood Standard Features

- Flush lower airfoil, epoxy painted to match
- Epoxy painted steel lower spill trough
- Flat front fascias
- Tempered safety glass
- Stainless steel transition to 12” diameter duct collar
- 24” clear sash opening for ease of setups
- Unique chain driven sash mechanism that comes with a lifetime warranty
- Robust epoxy painted steel pan superstructure
- Spring returns to 18”, optional.
- Defeatable sash stops at 18”, standard.



F-300 Series – Isolator<sup>3</sup> Bench Fume Hoods – Ordering Information

F-353 High Performance Bench Hood Air Flow Data

Catalog Number	Duct Size	24" Vertical Open @ 60 FPM	18" Vertical Open @ 80 FPM
F-353-48G5	1 : 12"	380 CFM @ .04" SP	380 CFM @ .04" SP
F-353-60G5	1 : 12"	500 CFM @ .06" SP	500 CFM @ .06" SP
F-353-72G5	1 : 12"	651 CFM @ .09" SP	651 CFM @ .09" SP
F-353-96G5	2 : 12"	860 CFM @ .10" SP	860 CFM @ .10" SP

F-353 High Performance Bench Hood Product Numbers

F-353-48G5	ISOLATOR <sup>3</sup> Bench 48"	Framed Sash
F-353-60G5	ISOLATOR <sup>3</sup> Bench 60"	Framed Sash
F-353-72G5	ISOLATOR <sup>3</sup> Bench 72"	Framed Sash
F-353-96G5	ISOLATOR <sup>3</sup> Bench 96"	Framed Sash

F-353 High Performance Bench Hood Liner Options

White Polyglass is standard. Please see the Hood Liners section for available options.

F-353 High Performance Bench Hood Electrical Options

Fascia is pre-punched with two electrical cutouts (four cutouts total). Please see the Electrical Fixtures section for available options.

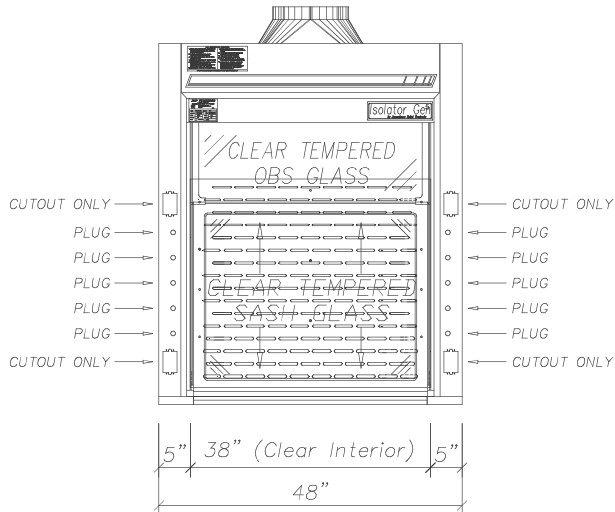
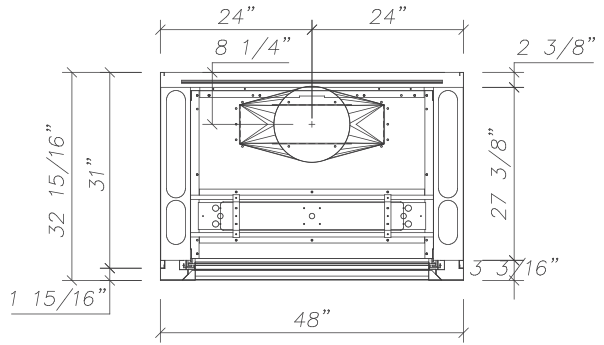
F-353 High Performance Bench Hood Plumbing Fixtures

Fascia is pre-punched with five 3/4" dia. holes to accept rod driven remote fixtures (ten holes total). Please see the Plumbing Fixtures section for available options.

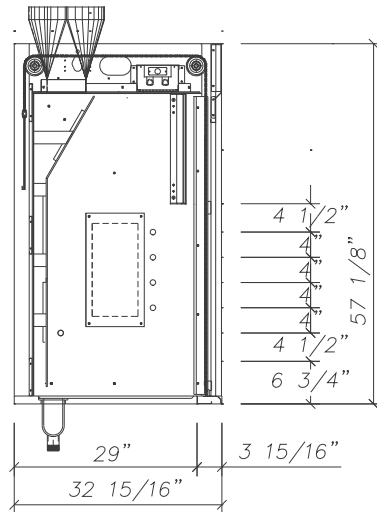
F-353 High Performance Bench Hood Fume Hood Accessories

Please see the Fume Hood Accessories section for available options.

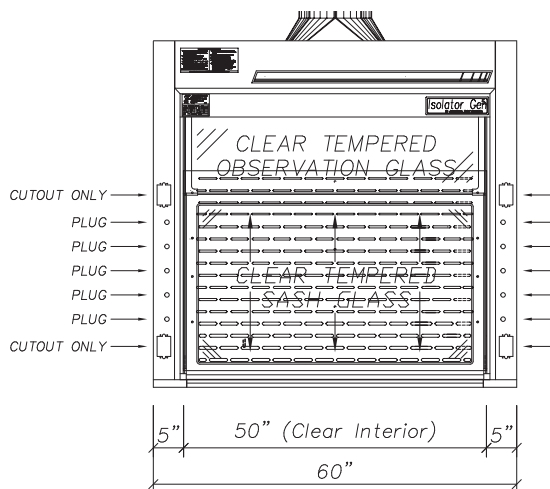
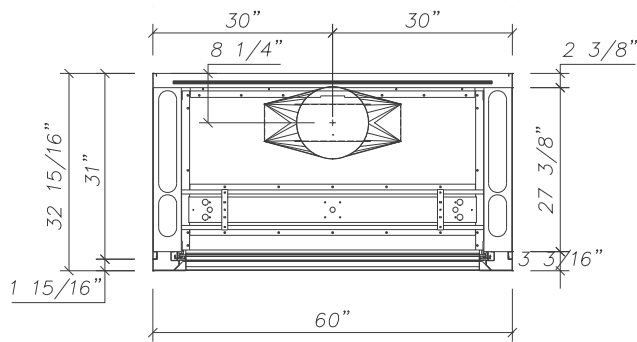
F-353-48G5 - 48" Isolator<sup>3</sup> Bench Fume Hood - Framed Sash



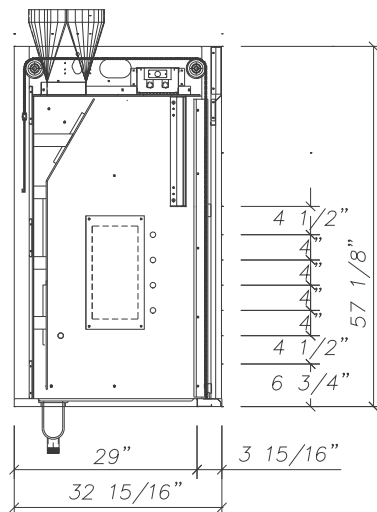
R.H. INTERIOR SECTION VIEW



F-353-60G5 - 60" Isolator<sup>3</sup> Bench Fume Hood - Framed Sash

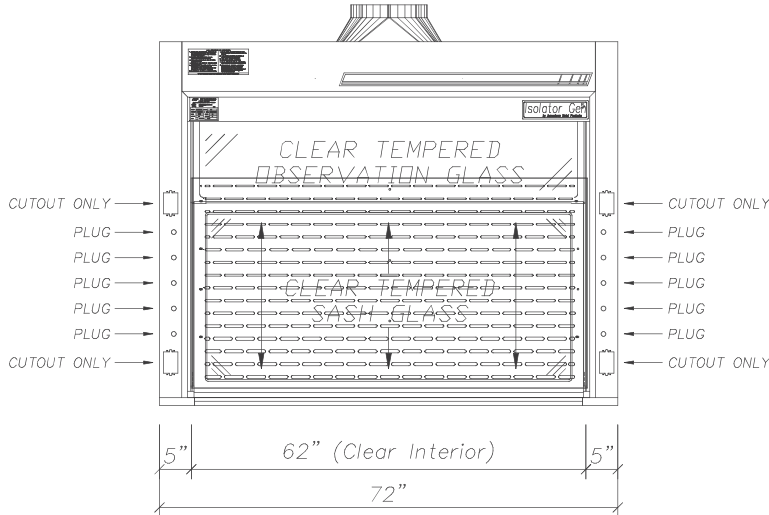
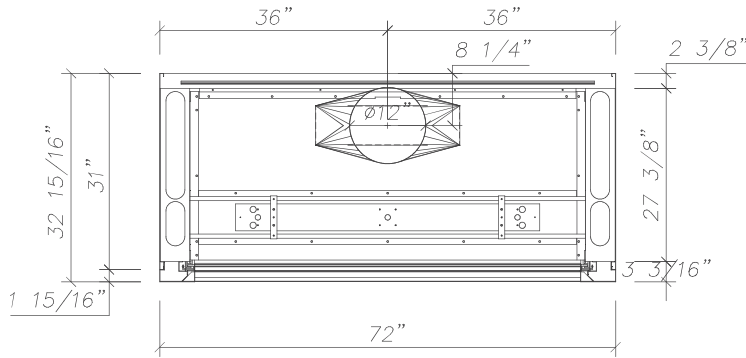


R.H. INTERIOR SECTION VIEW

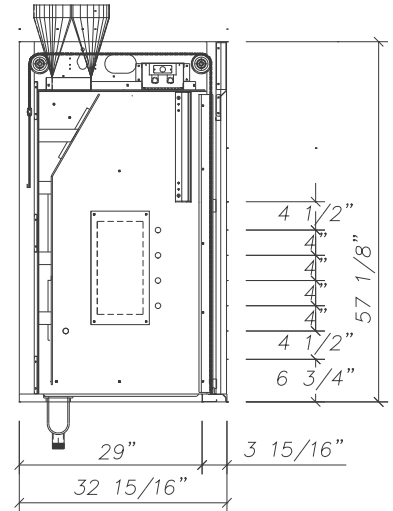


## F-300 Series – Isolator<sup>3</sup> Bench Fume Hoods – Product Dimensions

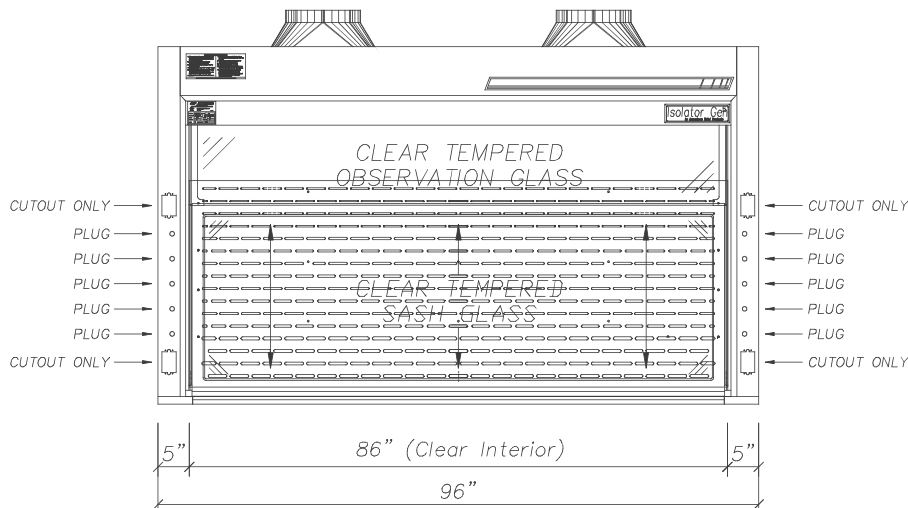
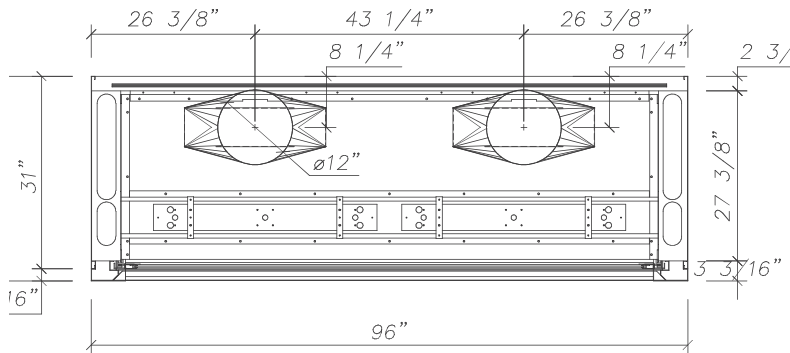
### F-353-72G5 - 72" Isolator<sup>3</sup> Bench Fume Hood - Framed Sash



R.H. INTERIOR SECTION VIEW



### F-353-96G5 - 96" Isolator<sup>3</sup> Bench Fume Hood - Framed Sash



R.H. INTERIOR SECTION VIEW

