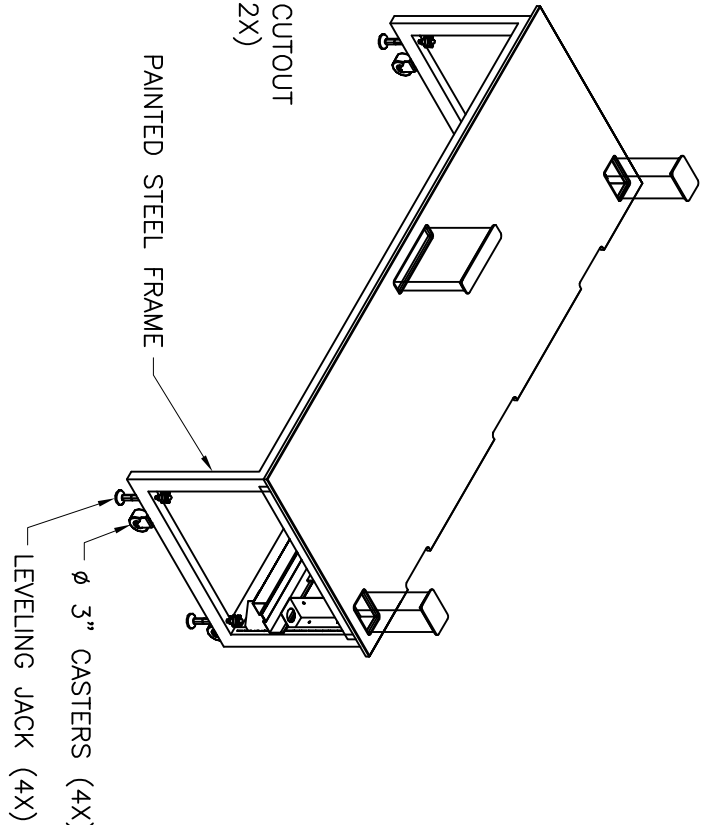
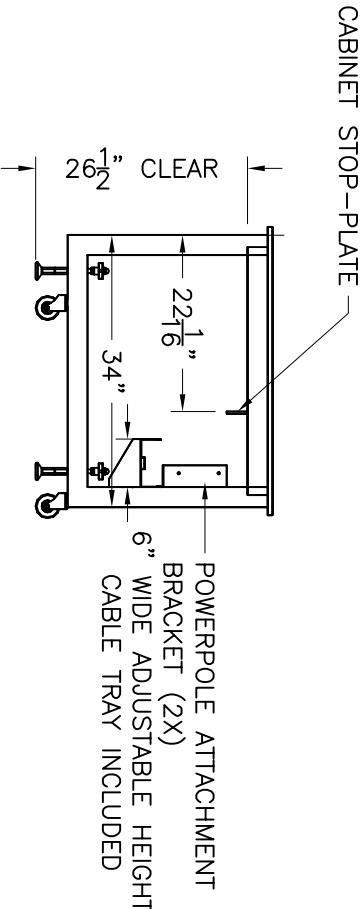
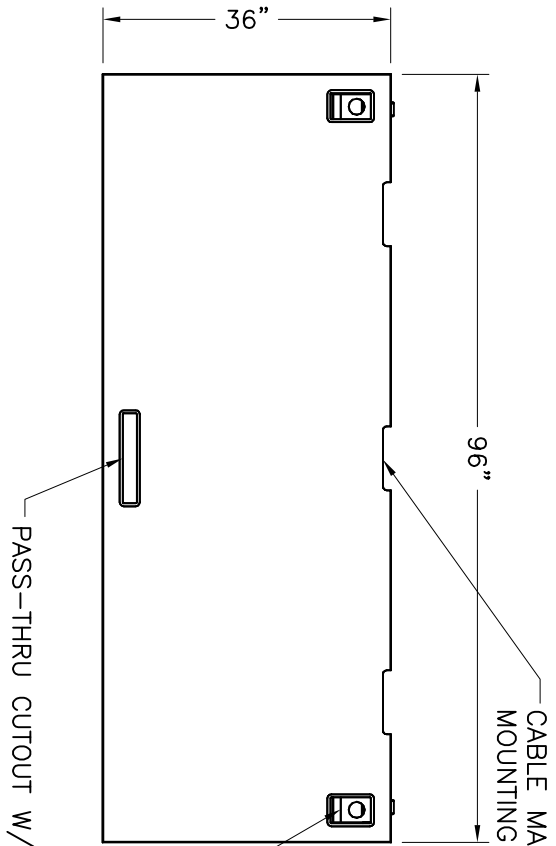


1/8" THK.  
PHENOLIC TOP  
(STANDARD OPTION)



SHEET NO.  
JOB NO.  
CHK'D BY:  
BJS  
DRAWN BY:  
06-12-06  
DATE  
SCALE  
NONE



249 OLD CHURCHMAN'S ROAD  
NEW CASTLE, DE 19720  
PHONE: 302-322-0460  
FAX: 302-322-2849

MTFL-9636 96"x36"x29 5/8"H MOBILE TABLE  
ONE-SIDED, W/ L/R CUTOUTS FOR POWERPOLES

PROJECT