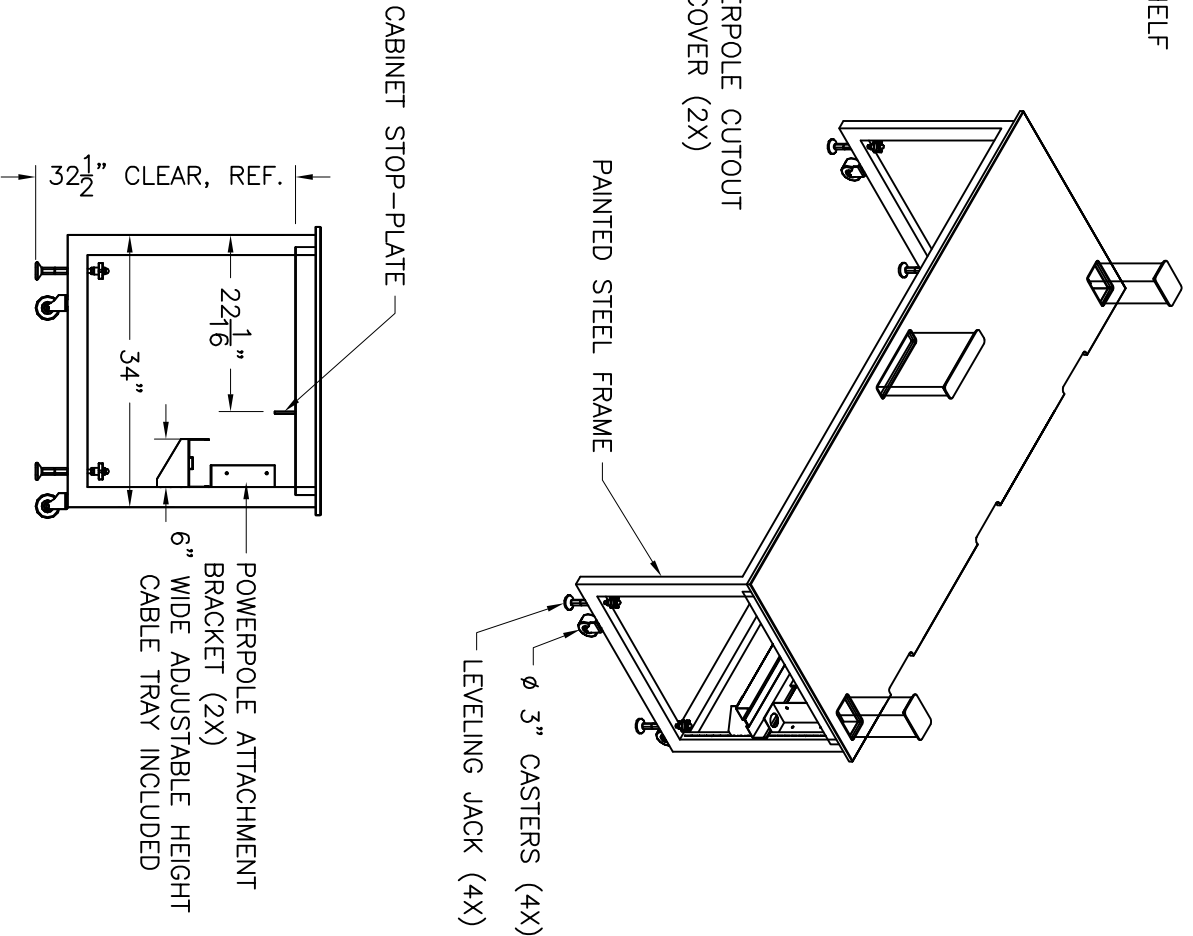


CABLE MANAGEMENT/SHELF
MOUNTING NOTCHES

PASS-THRU CUTOUT W/ COVER

POWERPOLE CUTOUT
W/ COVER (2X)

5/16" THK.
PHENOLIC TOP
(STANDARD OPTION)



PAINTED STEEL FRAME

LEVELING JACK (4X)

Ø 3" CASTERS (4X)

CABINET STOP-PLATE

POWERPOLE ATTACHMENT
BRACKET (2X)

6" WIDE ADJUSTABLE HEIGHT
CABLE TRAY INCLUDED

32 1/2" CLEAR, REF.

SHEET NO.	JOB NO.	CHK'D BY:	DATE	SCALE	<p>LFS Systems Corp</p> <p>249 OLD CHURCHMAN'S ROAD NEW CASTLE, DE 19720 PHONE: 302-322-0460 FAX: 302-322-2849</p>	<p>PROJECT</p> <p>MTF-9636 96" x 36" x 35 5/8" H MOBILE TABLE ONE-SIDED, W/ L/R CUTOUTS FOR POWERPOLES</p>
		BJS DRAWN BY:	06-12-06	NONE		