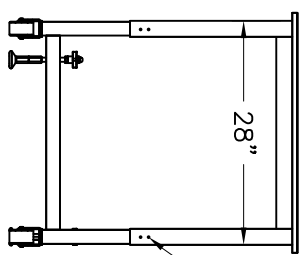
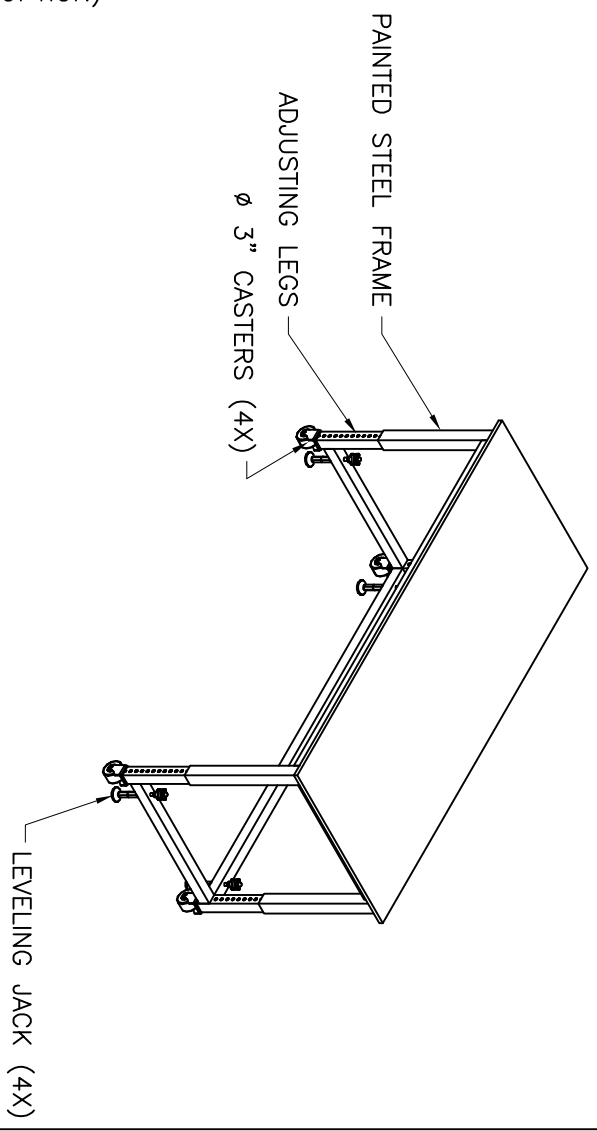


5/16" THK.
PHENOLIC TOP
(STANDARD OPTION)

EACH LEG HAS ONE $\phi 5/16"$
QUICK-RELEASE PIN W/ LANYARD.



TO RIGIDLY SECURE TABLE,
INSTALL 1 SELF-DRILLING
SCREW ON EITHER SIDE
OF PIN LOCATION THRU
FIXED FRAME INTO EACH
OF THE ADJUSTING LEGS.



SHEET NO.
JOB NO.
CHK'D BY:
BJS
DRAWN BY:
06-12-06
DATE
SCALE
NONE



249 OLD CHURCHMAN'S ROAD
NEW CASTLE, DE 19720
PHONE: 302-322-0460
FAX: 302-322-2849

MTA-7230
72" x 30" ADJUSTABLE HEIGHT MOBILE TABLE

PROJECT