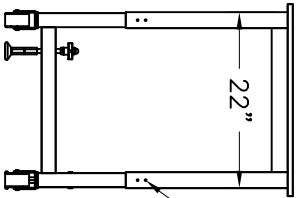
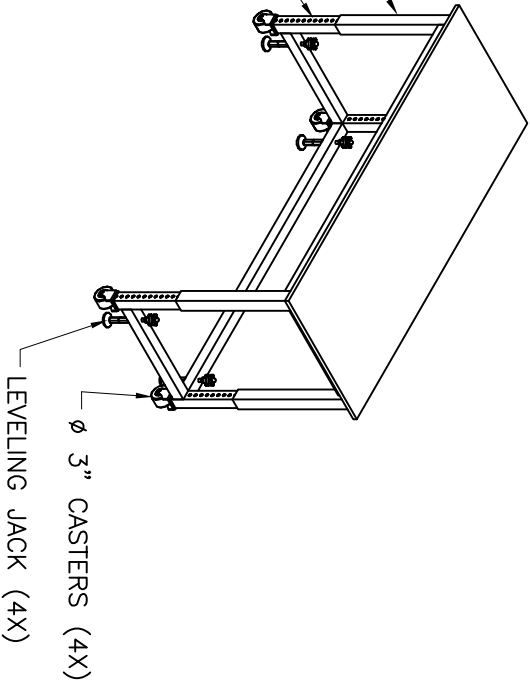


PAINTED STEEL FRAME

ADJUSTING LEGS



TO RIGIDLY SECURE TABLE, INSTALL 1 SELF-DRILLING SCREW ON EITHER SIDE OF PIN LOCATION THRU FIXED FRAME INTO EACH OF THE ADJUSTING LEGS.

SHEET NO.
JOB NO.
CHK'D BY:
BJS
DRAWN BY:
06-12-06
DATE
SCALE
NONE

LFS Systems Corp
249 OLD CHURCHMAN'S ROAD
NEW CASTLE, DE 19720
PHONE: 302-322-0460
FAX: 302-322-2849

MTA-6024
60"x24" ADJUSTABLE HEIGHT MOBILE TABLE

PROJECT