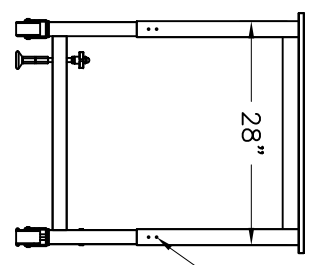
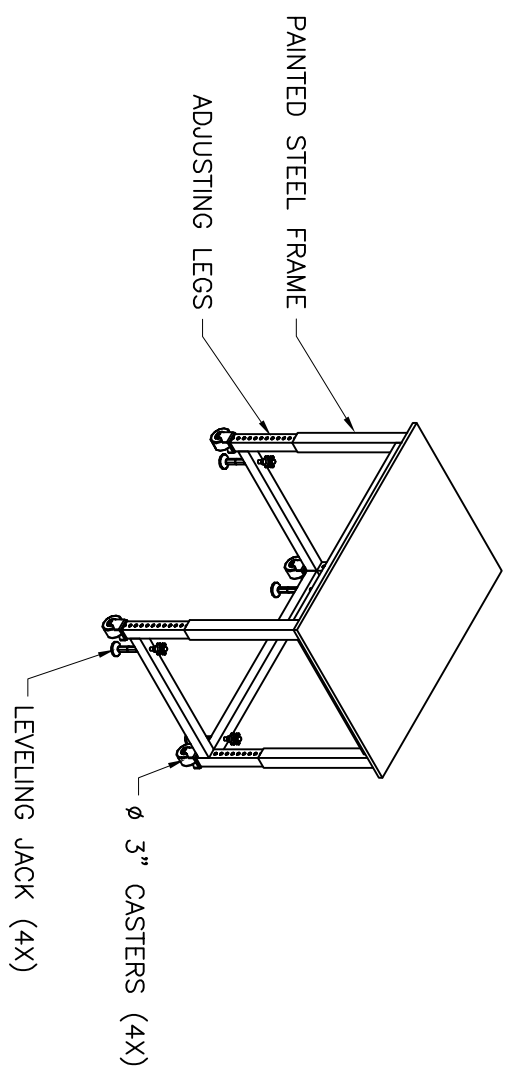
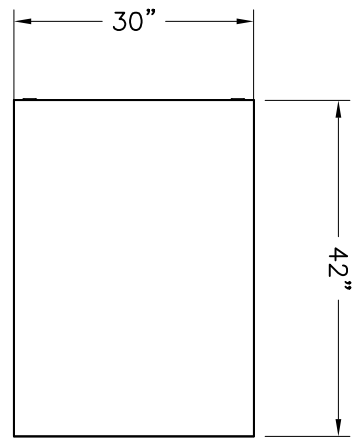
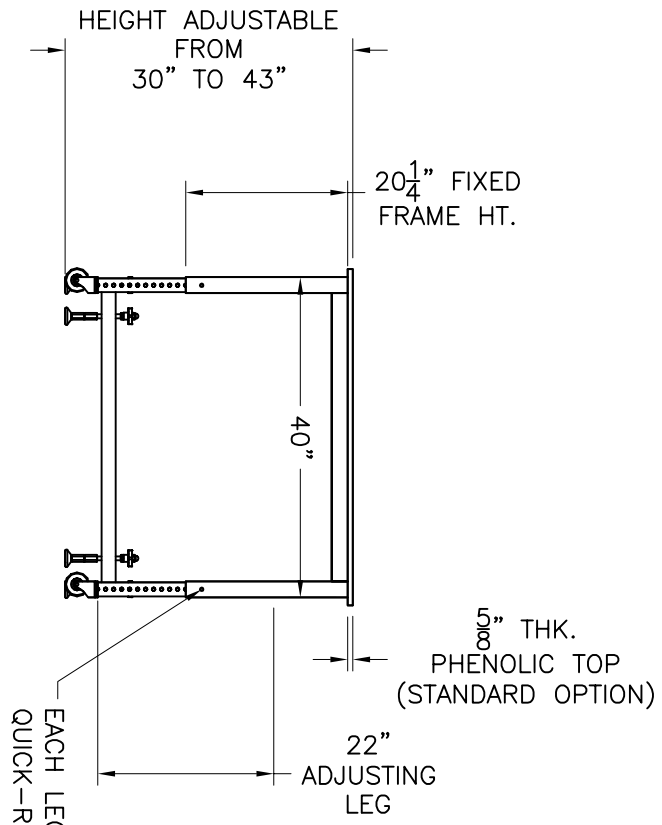


SHEET NO.	JOB NO.	CHK'D BY:	BJS	DRAWN BY:	06-12-06	DATE	SCALE	NONE	<b>LFS</b> systems COMP	249 OLD CHURCHMAN'S ROAD NEW CASTLE, DE 19720 PHONE: 302-322-0460 FAX: 302-322-2849	MTA-4230	PROJECT
											42" x 30" ADJUSTABLE HEIGHT MOBILE TABLE	



TO RIGIDLY SECURE TABLE, INSTALL 1 SELF-DRILLING SCREW ON EITHER SIDE OF PIN LOCATION THRU FIXED FRAME INTO EACH OF THE ADJUSTING LEGS.