

SHEET NO.

JOB NO.

CHK'D BY:

BJS

DRAWN BY:

06-12-06

DATE

NONE

SCALE

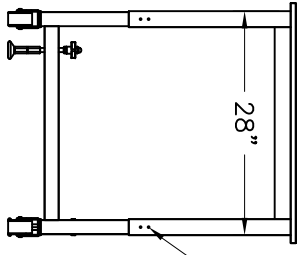
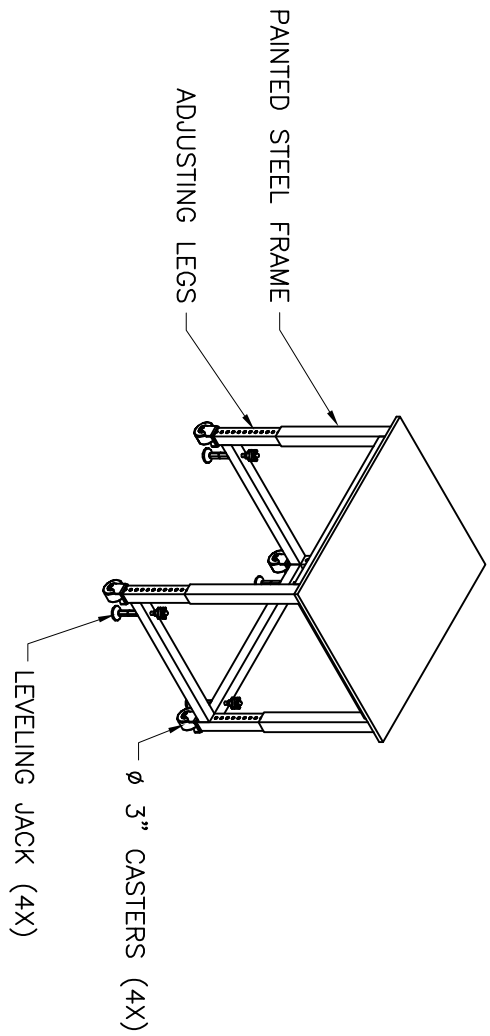
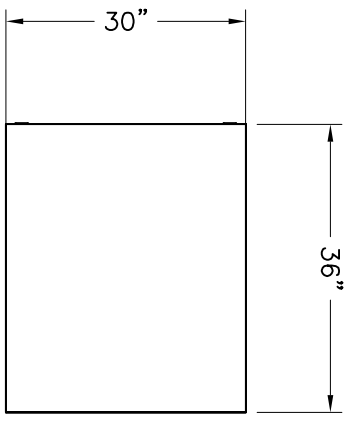
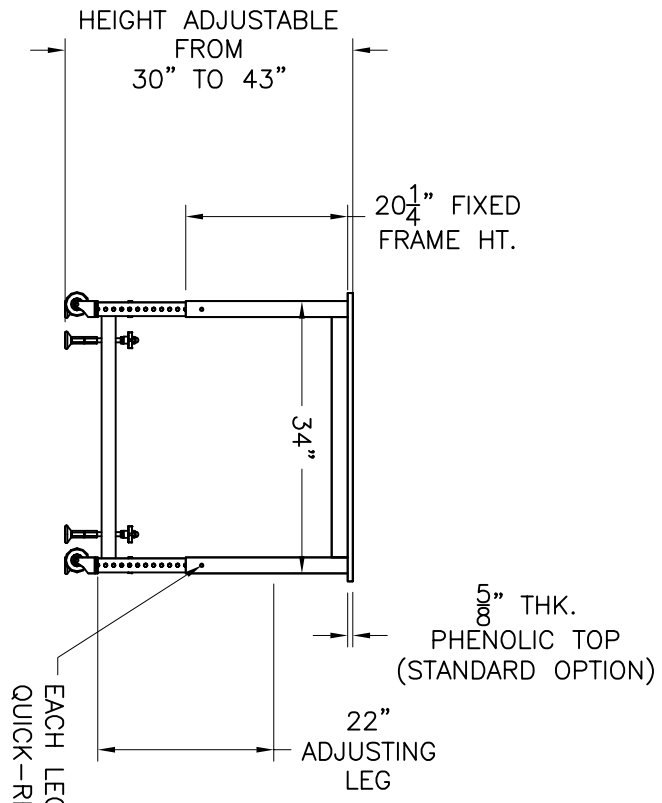


249 OLD CHURCHMAN'S ROAD
NEW CASTLE, DE 19720
PHONE: 302-322-0460
FAX: 302-322-2849

MTA-3630

36" x 30" ADJUSTABLE HEIGHT MOBILE TABLE

PROJECT



TO RIGIDLY SECURE TABLE, INSTALL 1 SELF-DRILLING SCREW ON EITHER SIDE OF PIN LOCATION THRU FIXED FRAME INTO EACH OF THE ADJUSTING LEGS.