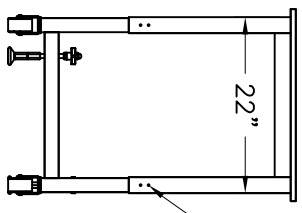
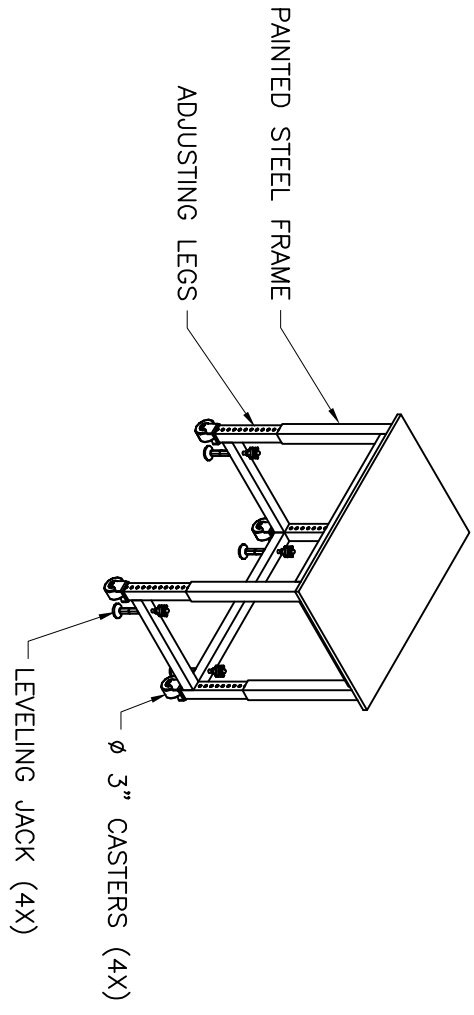
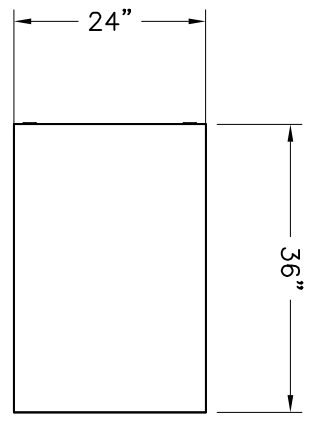
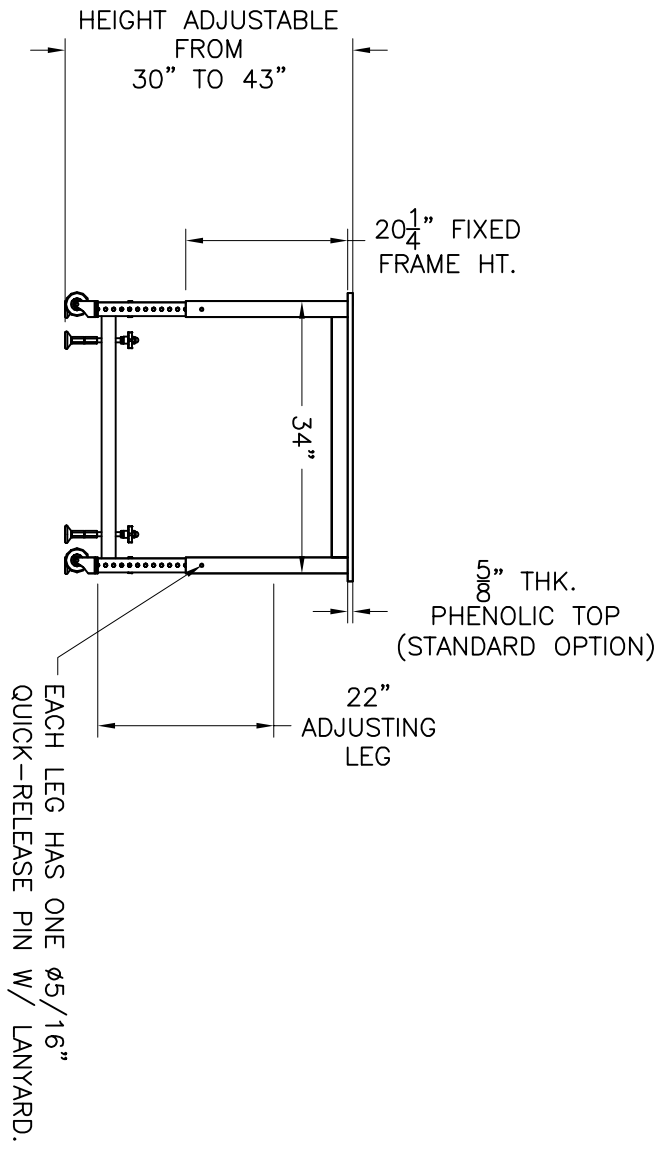


SHEET NO.	JOB NO.	CHK'D BY:	BJS	DRAWN BY:	06-12-06	DATE	SCALE	NONE	LFS Systems COMP 249 OLD CHURCHMAN'S ROAD NEW CASTLE, DE 19720 PHONE: 302-322-0460 FAX: 302-322-2849	MTA-3624	PROJECT
										36"x24" ADJUSTABLE HEIGHT MOBILE TABLE	



TO RIGIDLY SECURE TABLE, INSTALL 1 SELF-DRILLING SCREW ON EITHER SIDE OF PIN LOCATION THRU FIXED FRAME INTO EACH OF THE ADJUSTING LEGS.