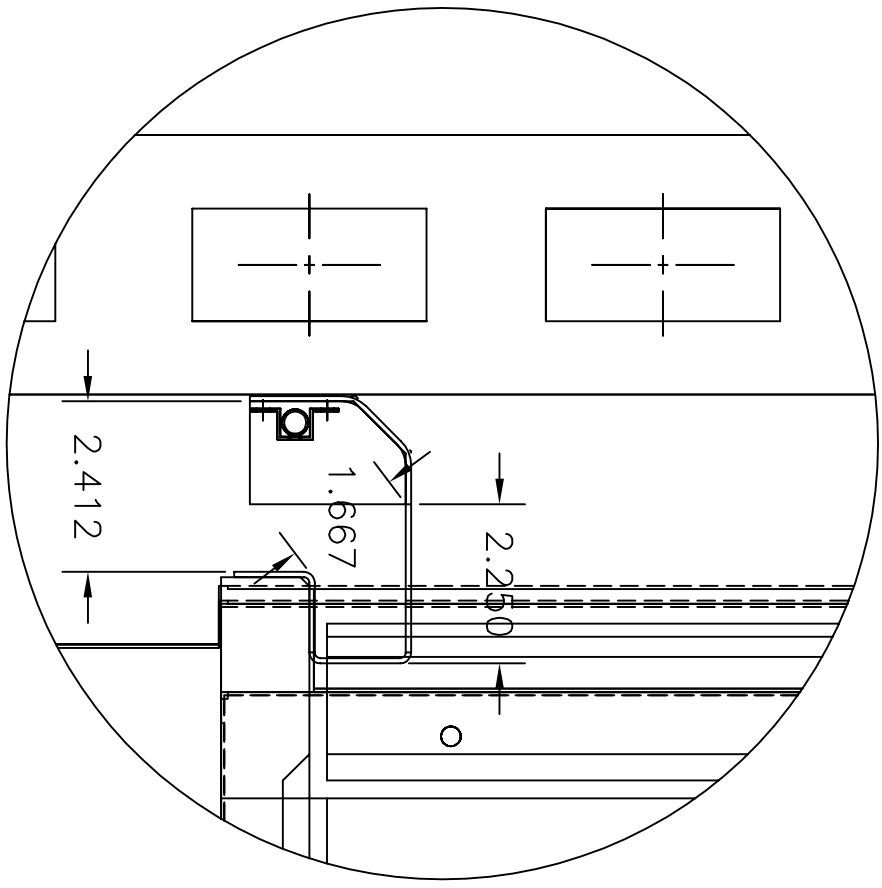


DRAWN BY: <u>JEFF</u> DATE: <u>07.30.03</u>		SCALE	REV.
DEALER: <u>L. F. SYSTEMS, CORP.</u>			
JOB		FACTORY ORDER NO.	
SHEET	OF		

BOTTOM AIRFOIL IN THE CLOSE POSITION.



BOTTOM AIRFOIL HINGED FORWARD.

