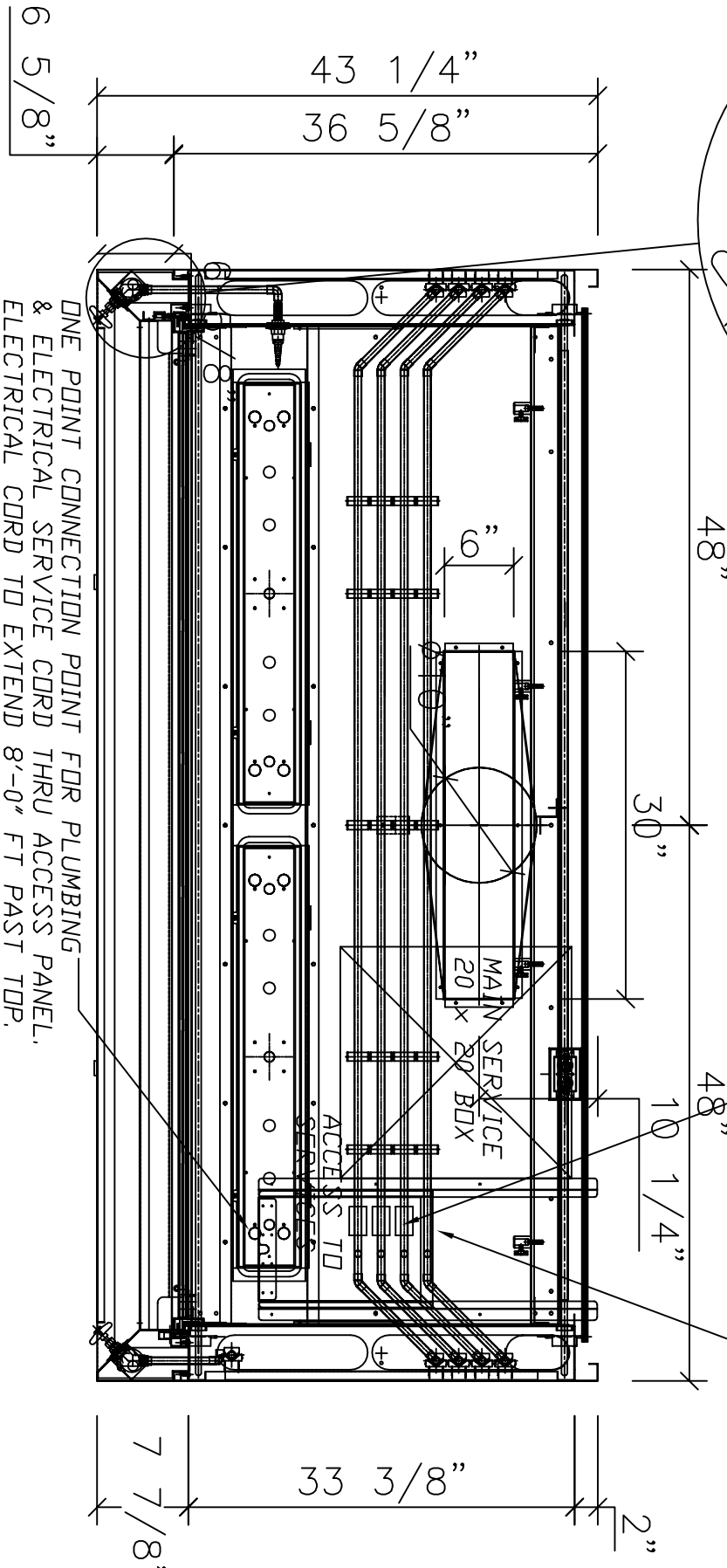


DEFEATABLE SPRING ROLLER SASH STOPS TO BE LOCATED AT THIS POINT IN FACIA TO CREATE A 18" CLEAR OPENING.

ROLLER INDEXES ON CHAIN ATTACHMENT BRACKET.

REGULATORS REQUIRED IN LINE FOR SERVICES NIT., MG., & AIR, NORGREN #R73G-2BK-RMK WITH GAUGE.



DRAWN BY: JEFF		DATE: 07.30.03	SCALE	REV.
DEALER: L. F. SYSTEMS, CORP.				
JOB		FACTORY ORDER NO.		
SHEET	OF			