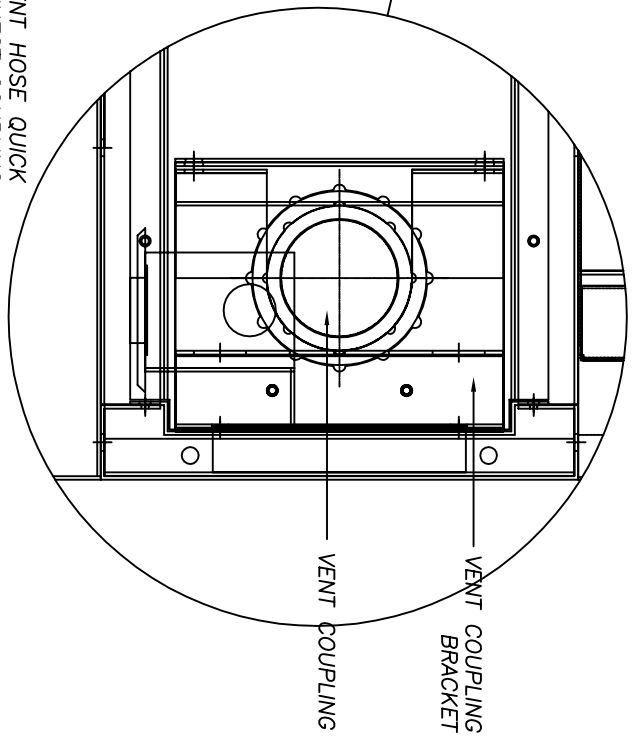


ROLLER FRICTION
CATCH @ 18° OPEN

NIT. MG. AIR VAC.
THREE HOSE BARBS AND
ONE 1/4" REDUCING UNION REQUIRED
B-600-6-4 3/8" x 1/4"
REDUCING TUBE UNION

FLUSH SOUTHCO LATCHES
AT TOP OF SIDE PANELS
OFFSET RETAINER ANGLE
AT BOTTOM OF SIDE PANELS
VENT KIT REQUIRED
INSTALLED ON LH. SIDE.
(6 FEET LONG TO COUPLING)



VENT COUPLING
VENT COUPLING
BRACKET

VENT HOSE QUICK
CONNECT COUPLING

DRAWN BY: JEFF		DATE: 07.30.03	SCALE	REV.
DEALER: L. F. SYSTEMS, CORP.				
JOB	FACTORY ORDER NO.			
SHEET	OF			