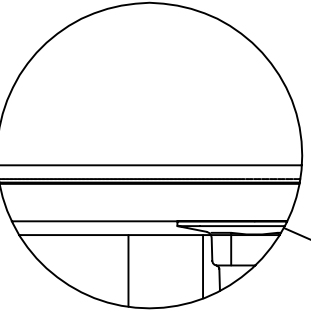


12'-0" COILED
WIRE TO
PHOENIX VALVE

FUMEHOOD LABEL TAG
1 1/2" x 4" PLASTIC
LAMINATE, NUMBERS
12-FH-001 thru 12-FH-062
BLACK W/ WHITE LETTERS

PHOENIX CONTROL
MONITOR INSTALLED
AIRFLOW AUDIBLE ALARM
TO HAVE REPEATING
FEATURE EVERY 5 MINS.

- PLUG →
- L739N-LR-LH/NIT →
- L739N-LR-LH/MG →
- L739N-LR-LH/AIR →
- L739N-LR-LH/VAC →
- PLUG →
- 120V 20 AMP
DUPLX RECEPT →
- 120V 20 AMP
DUPLX RECEPT →
- 120V 20 AMP
DUPLX RECEPT →



48" BETWEEN LATCHES
3" MIN,

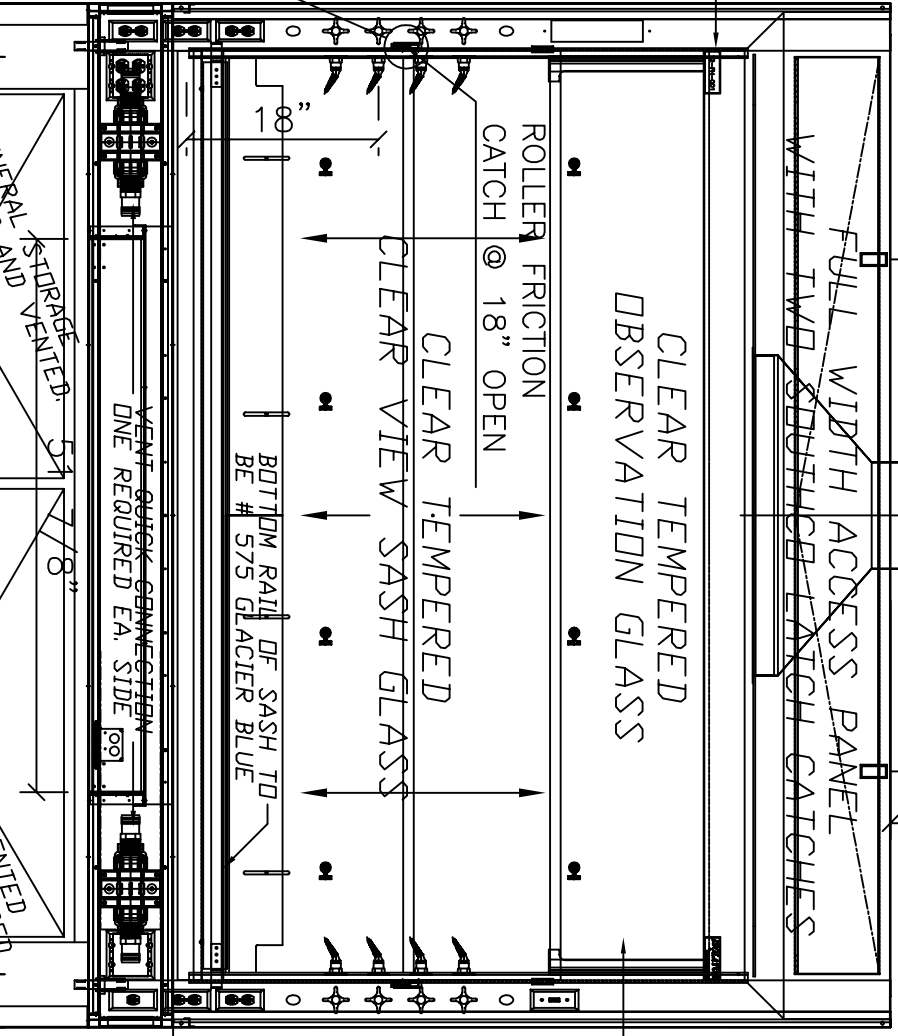
FULL WIDTH ACCESS PANEL
WITH TWO SUBTITCE LATCH CATCHES

CLEAR TEMPERED
OBSERVATION GLASS

ROLLER FRICTION
CATCH @ 18" OPEN

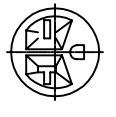
CLEAR TEMPERED
CLEAR VIEW SASH GLASS

BOTTOM RAIL OF SASH TO
BE # 575 GLACIER BLUE



ALL COMPONENTS (ELECTRICAL DEVICES)
TO BE UL LISTED.

- 208V 20 AMP
SIMPLEX RECEPT →
- 120V 20 AMP
DUPLX RECEPT →
- 120V 20 AMP
DUPLX RECEPT →
- 120V 20 AMP
DUPLX RECEPT →
- PLUG →



- L739N-LR-RH/NIT → COLDER OF
INDEX BUTTON
TO BE BROWN-
LABEL TO BE
'NIT'
- L739N-LR-RH/MG →
- L739N-LR-RH/AIR →
- L739N-LR-RH/VAC →
- PLUG →
- 120V 20 AMP
DUPLX RECEPT →
- 120V 20 AMP
DUPLX RECEPT →
- 208V 20 AMP
SIMPLEX RECEPT →

ETCHED 'TEMPERED' LABEL
MUST BE VISIBLE ON ALL
GLASS PANELS.

LIGHT SWITCH
120V, 15A

PLUG

L739N-LR-LH/NIT

L739N-LR-LH/MG

L739N-LR-LH/AIR

L739N-LR-LH/VAC

PLUG

120V 20 AMP
DUPLX RECEPT

120V 20 AMP
DUPLX RECEPT

120V 20 AMP
DUPLX RECEPT

208V 20 AMP
SIMPLEX RECEPT

1 1/2"

8"

5"

3 3/8"

36"

86"

96"

7 7/8"

42"

79"

80"

8"

1 1/2"

8"

1 1/2"

8"

1 1/2"

8"

1 1/2"

8"

1 1/2"

8"

1 1/2"

8"

1 1/2"

8"

1 1/2"

8"

DRAWN BY: JEFF DATE: 07.30.03		SCALE	REV.
DEALER: L. F. SYSTEMS, CORP.			
JOB		FACTORY ORDER NO.	
SHEET	OF		