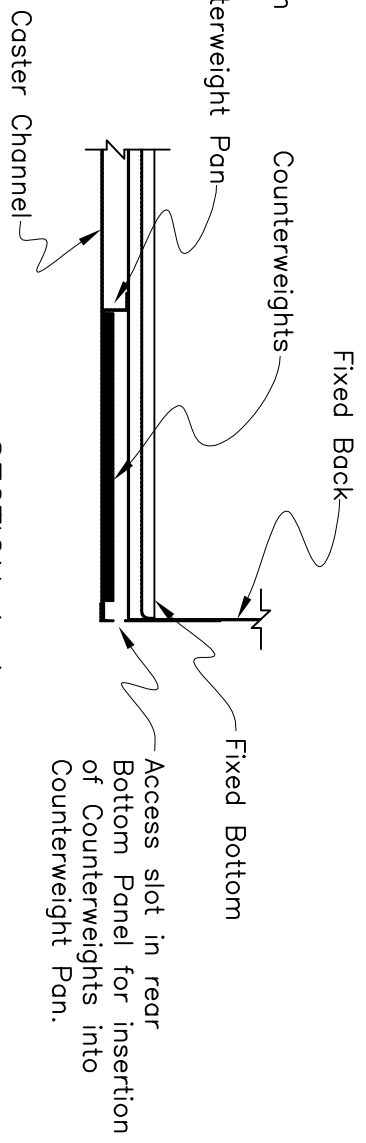
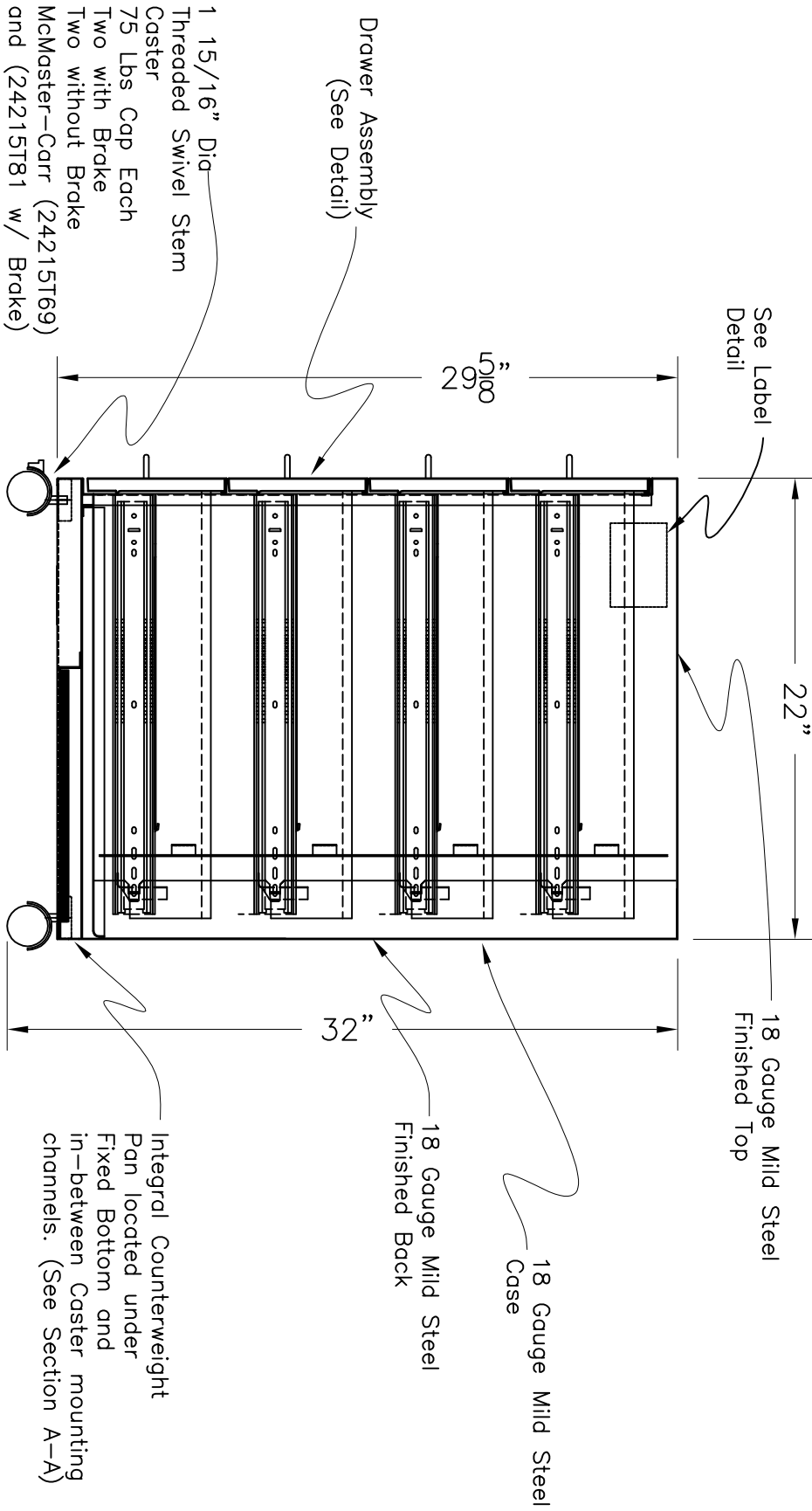
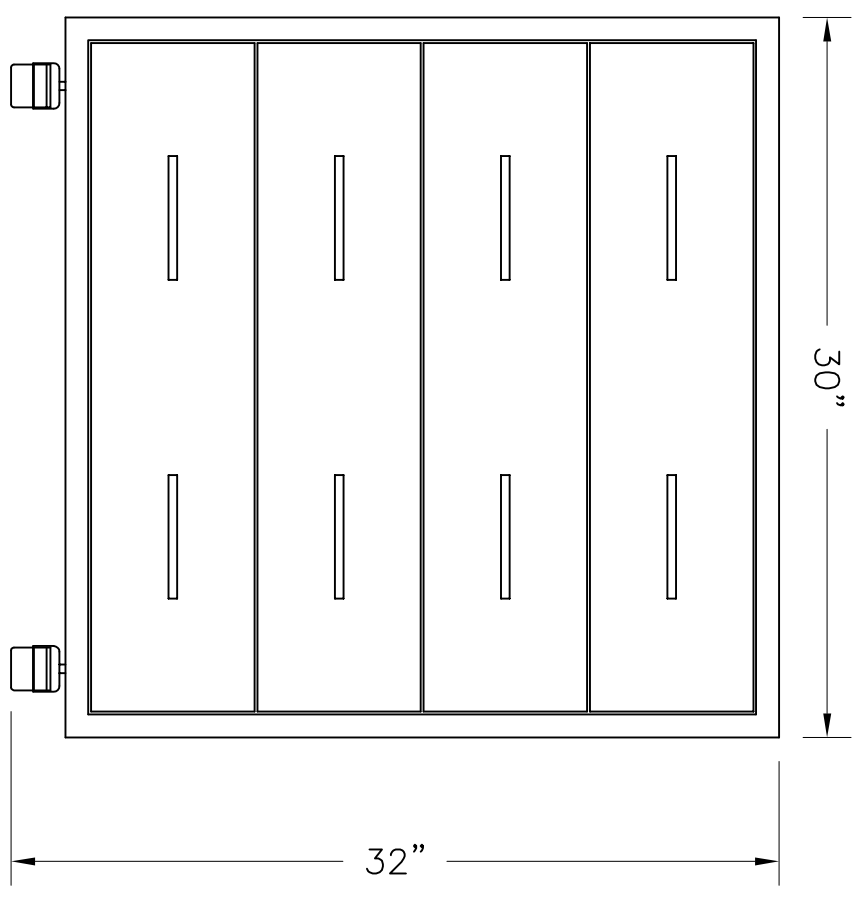


Drawerhead outer pan 18 Gauge  
 Counterweight Pan  
 Counterweights  
 Fixed Back  
 Fixed Bottom  
 Access slot in rear Bottom Panel for insertion of Counterweights into Counterweight Pan.



PART NUMBER

M70-36



**WARNING**  
 WEIGHT LIMIT PER DRAWER  
 MAXIMUM 25 POUNDS  
 CAUTION ONE DRAWER OPEN AT A TIME  
 EXCEEDING WEIGHT LIMIT COULD CAUSE TIPPING

Label Detail