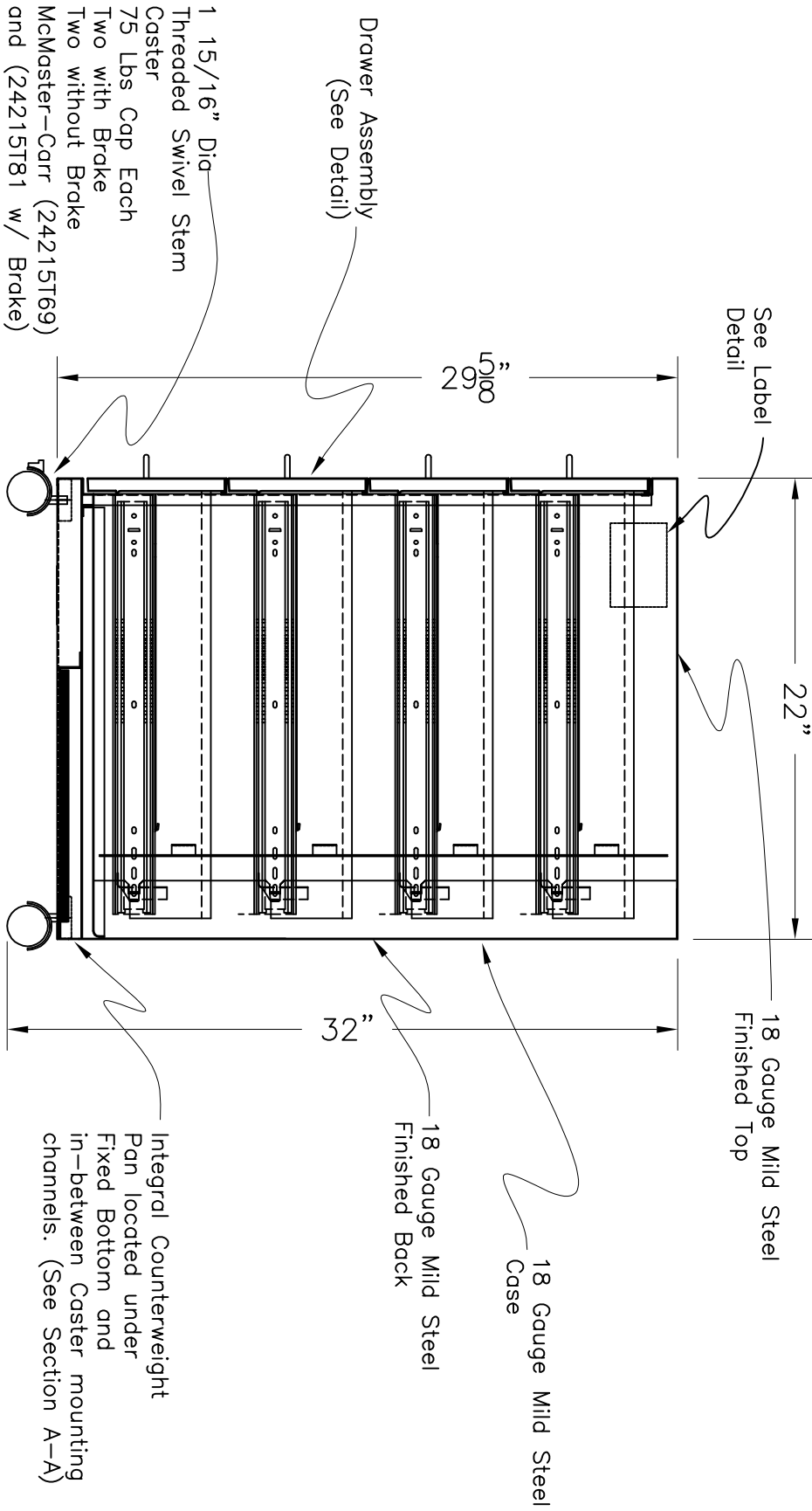
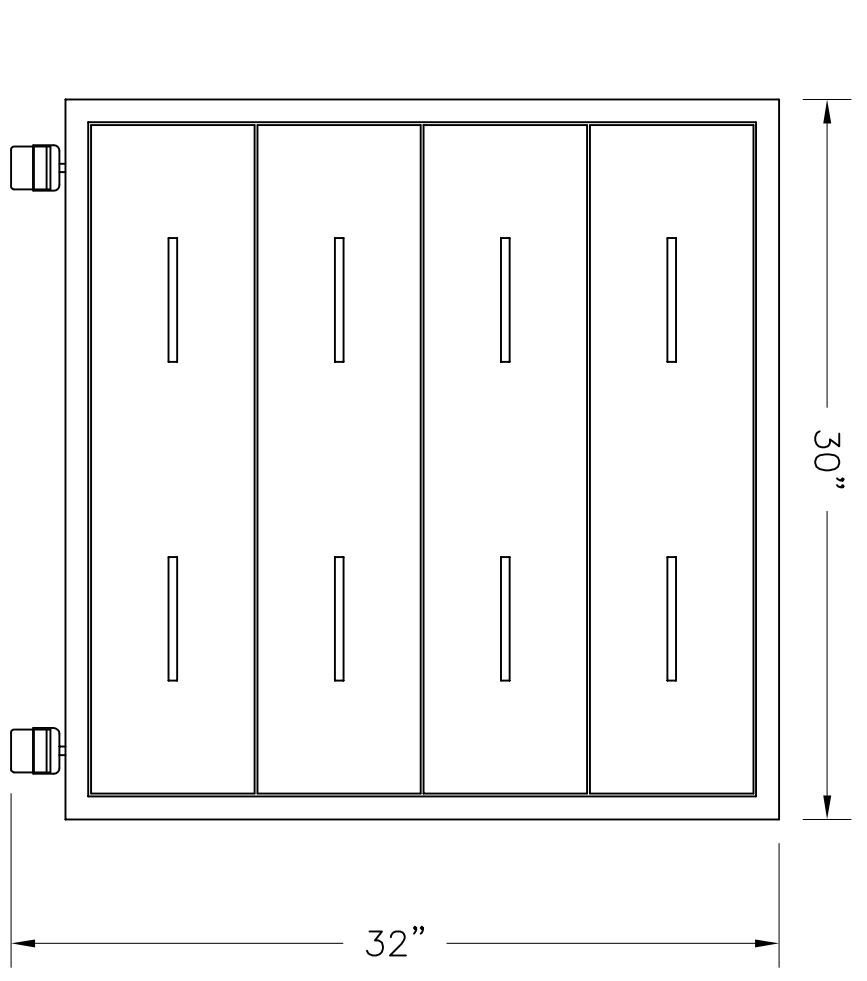


**W A R N I N G**  
 WEIGHT LIMIT PER DRAWER  
 MAXIMUM 25 POUNDS  
 CAUTION ONE DRAWER OPEN AT A TIME  
EXCEEDING WEIGHT LIMIT COULD CAUSE TIPPING

PART NUMBER

M70-30



ROLLING CABINET, 4 DRAWER  
 30"W X 22"D X 32"H

**LFS** systems CORP  
 249 OLD CHURCHMANS ROAD  
 NEW CASTLE, DE 19720  
 PHONE: 302-322-0460  
 FAX: 302-322-2849

SCALE	1"=1'-0"
DATE	10-08-03
DRAWN BY:	BJS
CHK'D BY:	
JOB NO.	
SHEET NO.	