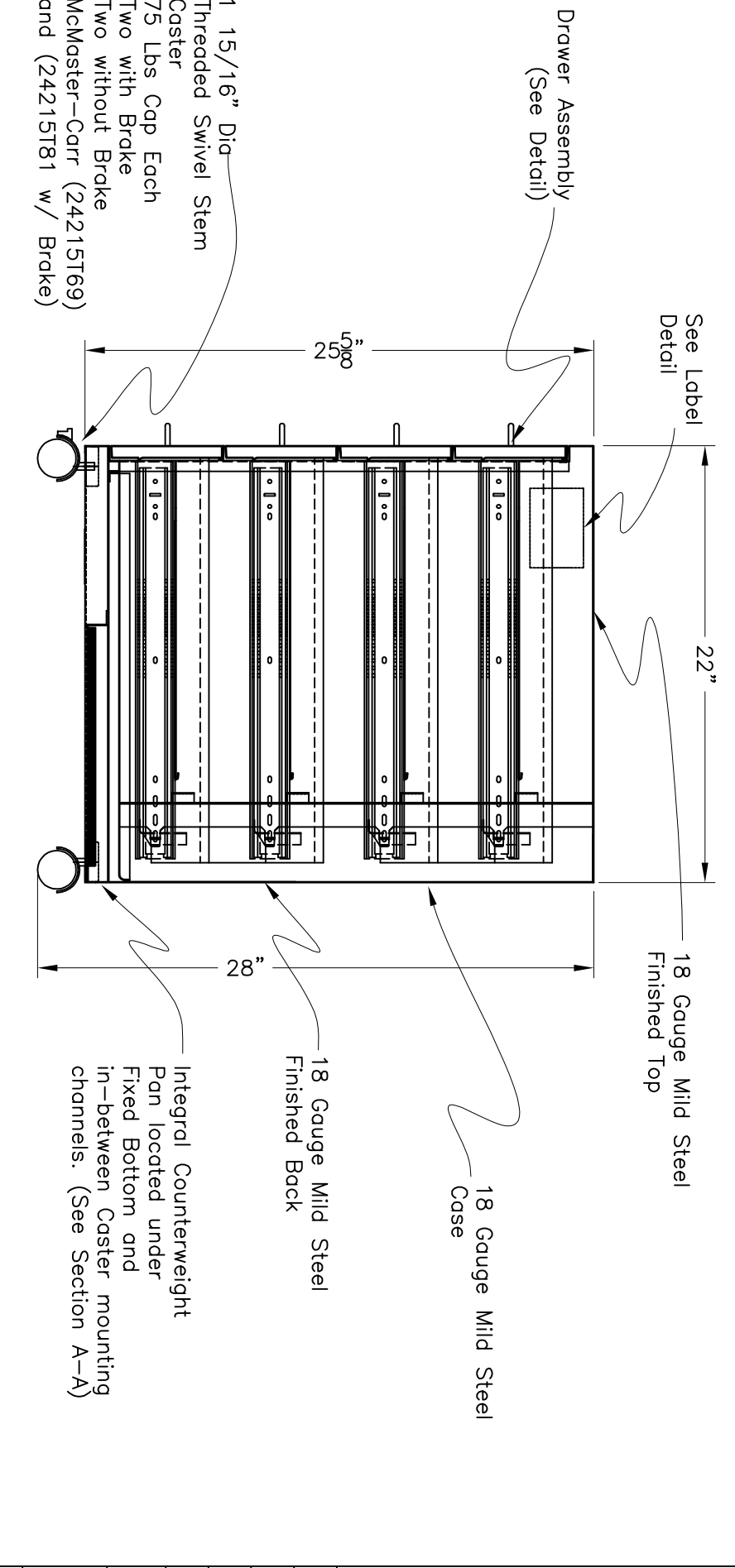
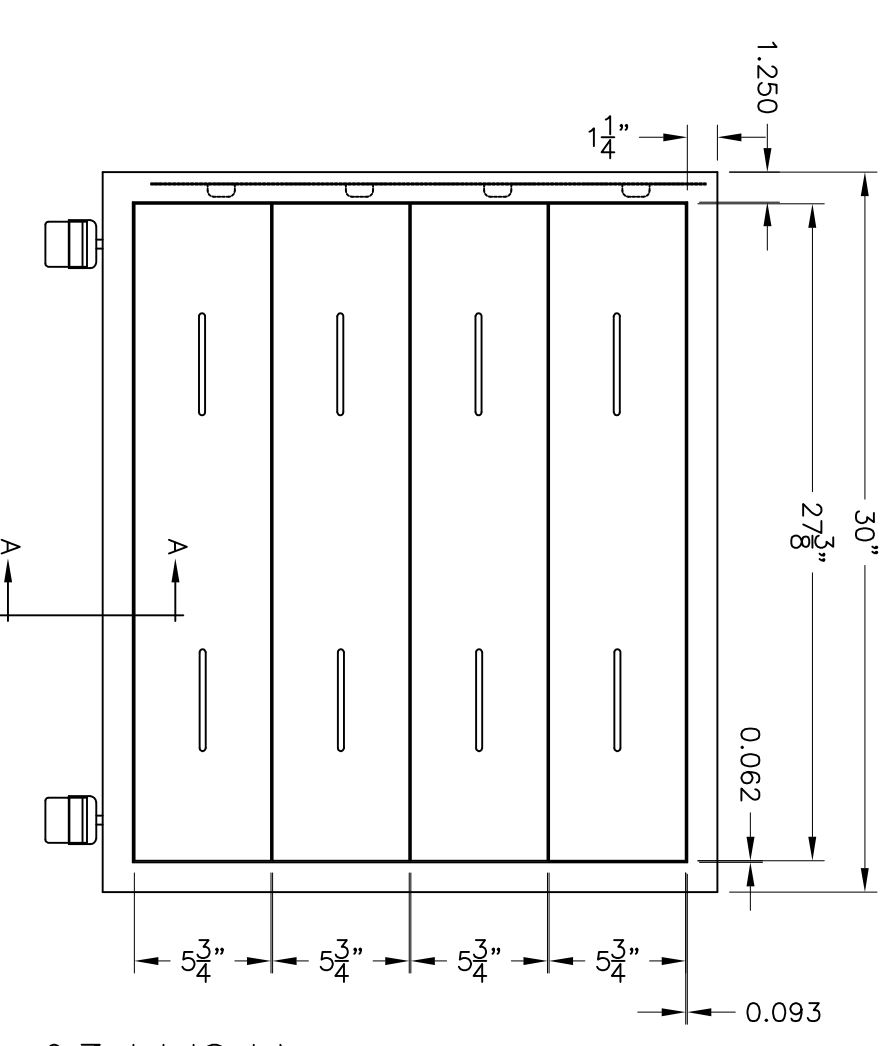


WARNING
 WEIGHT LIMIT PER DRAWER
 MAXIMUM 25 POUNDS
 CAUTION ONE DRAWER OPEN AT A TIME
EXCEEDING WEIGHT LIMIT COULD CAUSE TIPPING

PART NUMBER
M7B-30

Label Detail



- 1 15/16" Dia Threaded Swivel Stem Caster
- 75 Lbs Cap Each
- Two with Brake
- Two without Brake
- McMaster-Carr (24215T69) and (24215T81 w/ Brake)