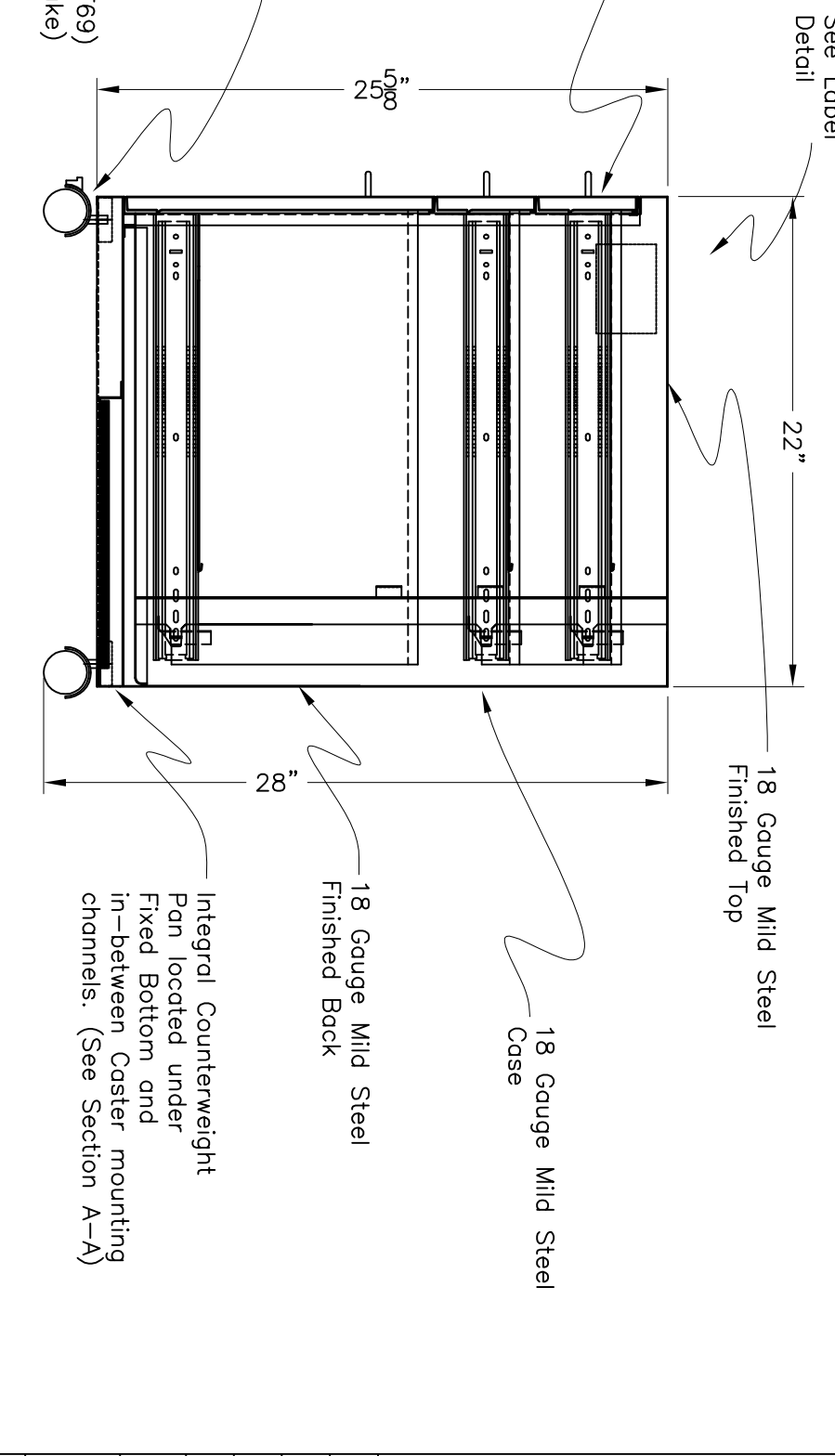
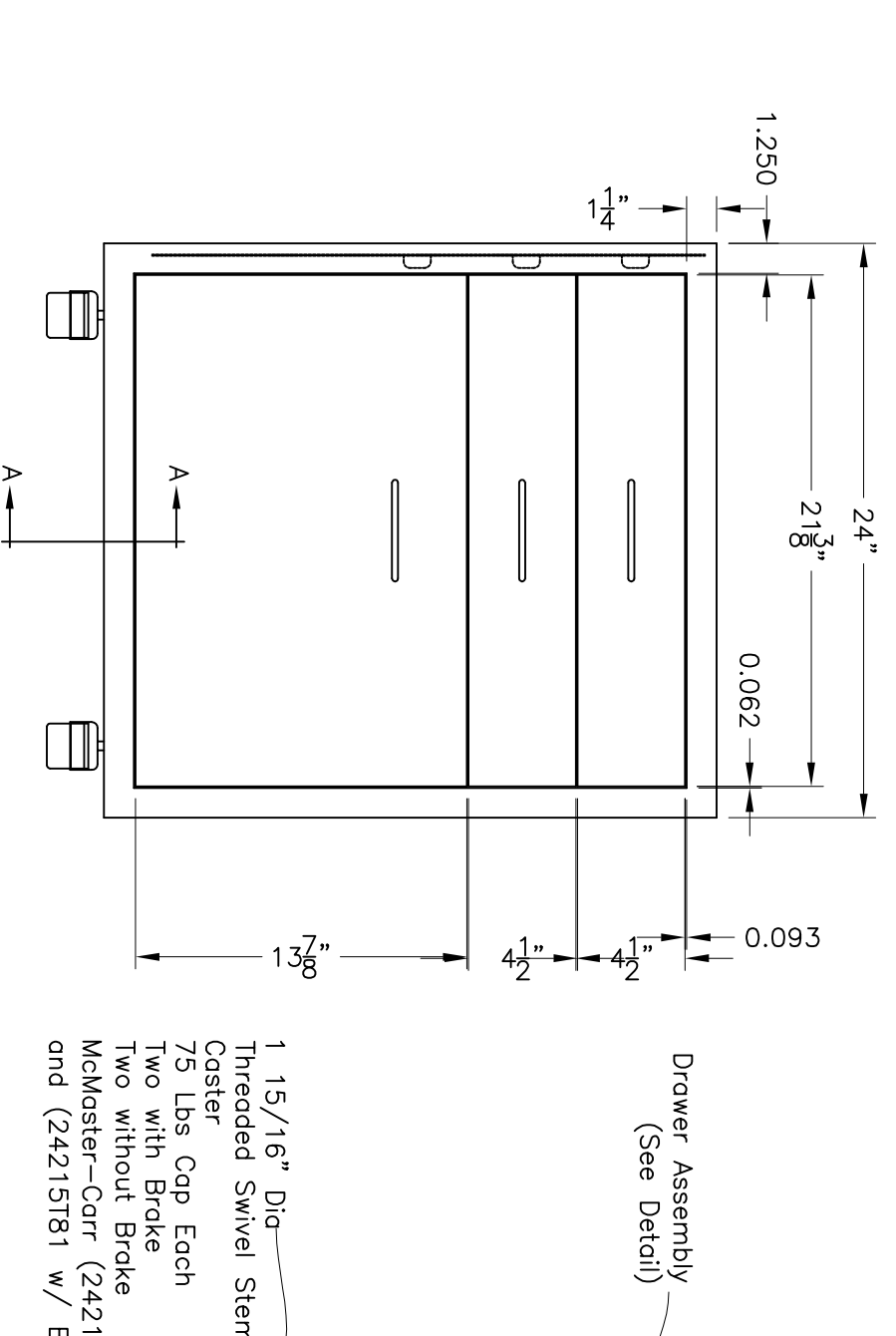


**WARNING**  
 WEIGHT LIMIT PER DRAWER  
 MAXIMUM 25 POUNDS  
 CAUTION ONE DRAWER OPEN AT A TIME  
EXCEEDING WEIGHT LIMIT COULD CAUSE TIPPING

PART NUMBER  
**M6B-24**

Label Detail



- 1 15/16" Dia Threaded Swivel Stem Caster
- 75 Lbs Cap Each Two with Brake
- Two without Brake McMaster-Carr (24215T69) and (24215T81 w/ Brake)