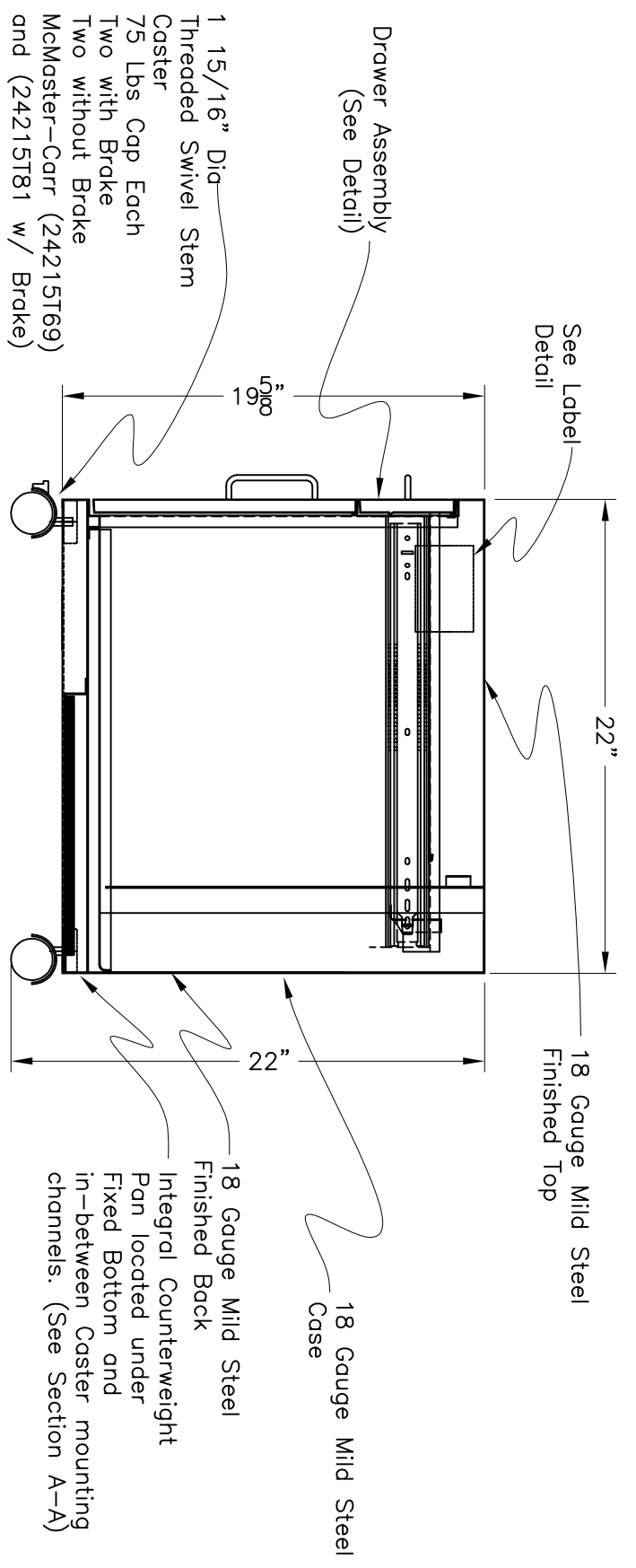
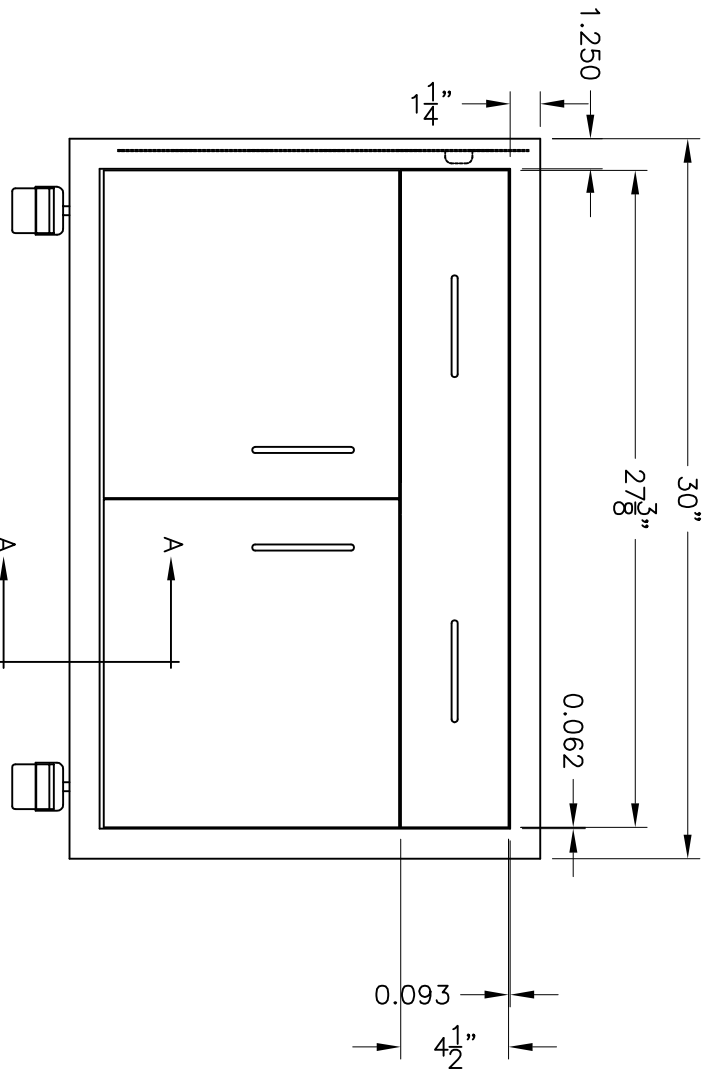


PART NUMBER
M2A-30



- 1 15/16" Dia Threaded Swivel Stem Caster
- 75 Lbs Cap Each
- Two with Brake
- Two without Brake
- McMaster-Carr (24215T69) and (24215T81 w/ Brake)



249 OLD CHURCHMANS ROAD
NEW CASTLE, DE 19720
PHONE: 302-322-0460
FAX: 302-322-2849

ROLLING CABINET, 1 DRAWER, 2 DOOR
30"W X 22"D X 22"H

SCALE	1"=1'-0"
DATE	10-08-03
DRAWN BY:	BJS
CHK'D BY:	
JOB NO.	
SHEET NO.	