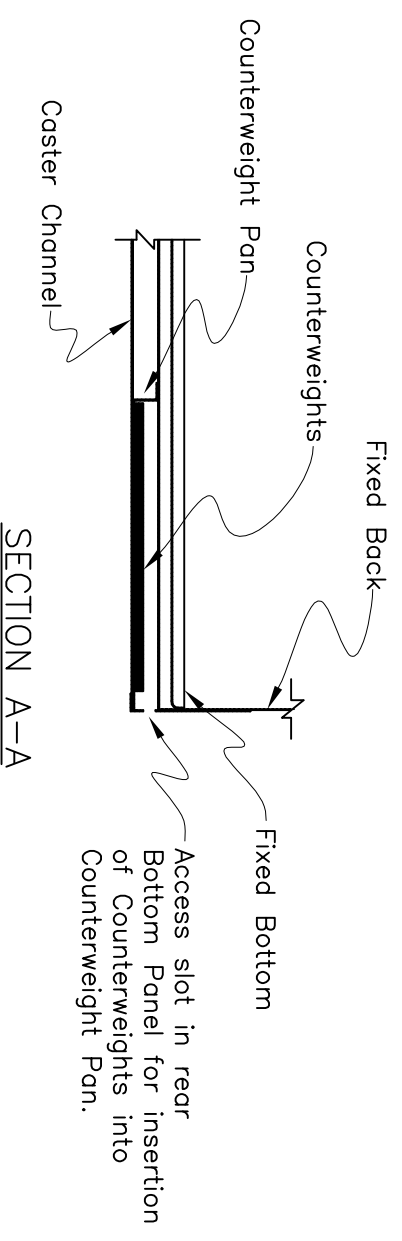
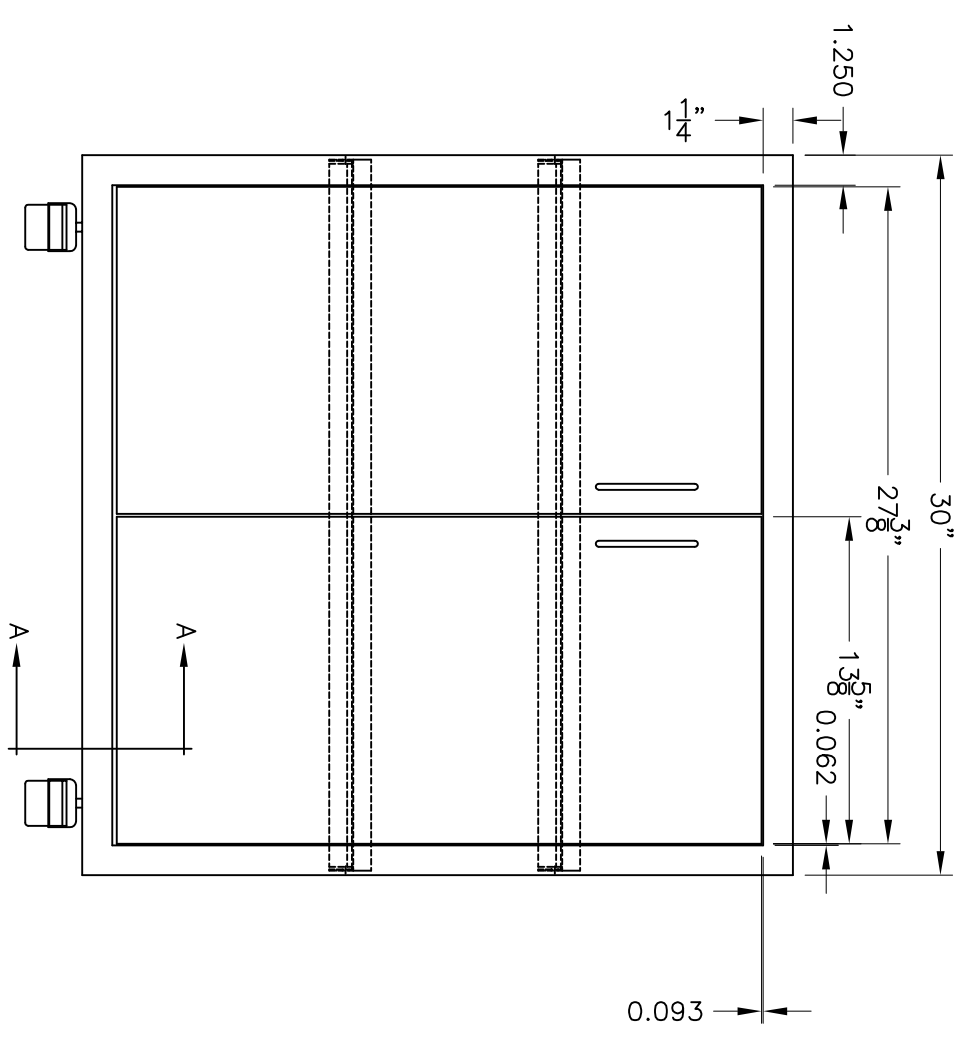


Adjustable Shelf Clip Detail



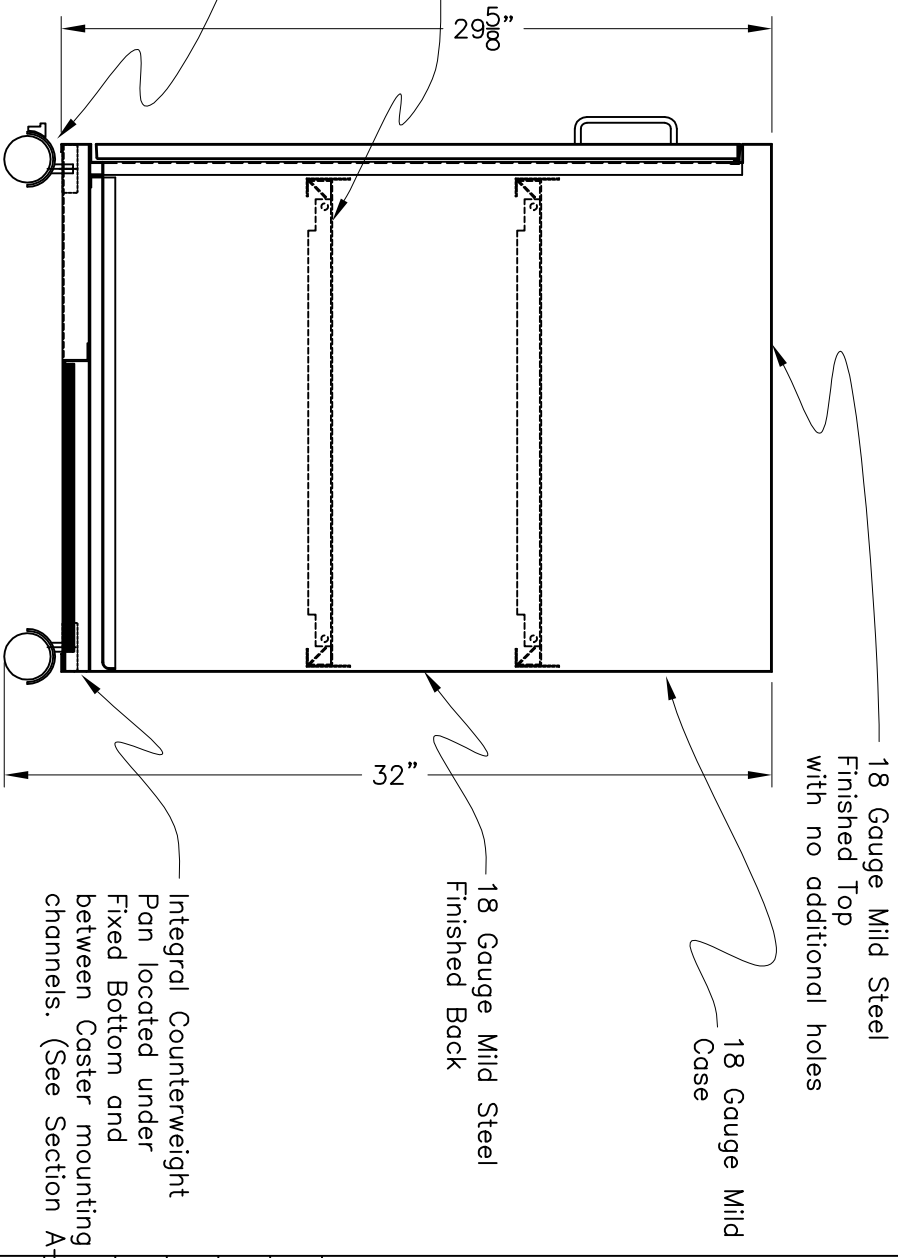
SECTION A-A

PART NUMBER
M1C-30



1 15/16" Dia
Threaded Swivel Stem
Caster
75 Lbs Cap Each
Two with Brake
Two without Brake
McMaster-Carr (24215T69)
and (24215T81 w/ Brake)

Adjustable Shelf
See Adjustable Shelf
Clip Detail



Shelf Adjustable Slots
1/2" On Centers

Rear Adjustable
Shelf Clip

Front Adjustable
Shelf Clip

18 Gauge Mild Steel
with no additional holes

18 Gauge Mild
Case

18 Gauge Mild Steel
Finished Back

Integral Counterweight
Pan located under
Fixed Bottom and
between Caster mounting
channels. (See Section A-A)