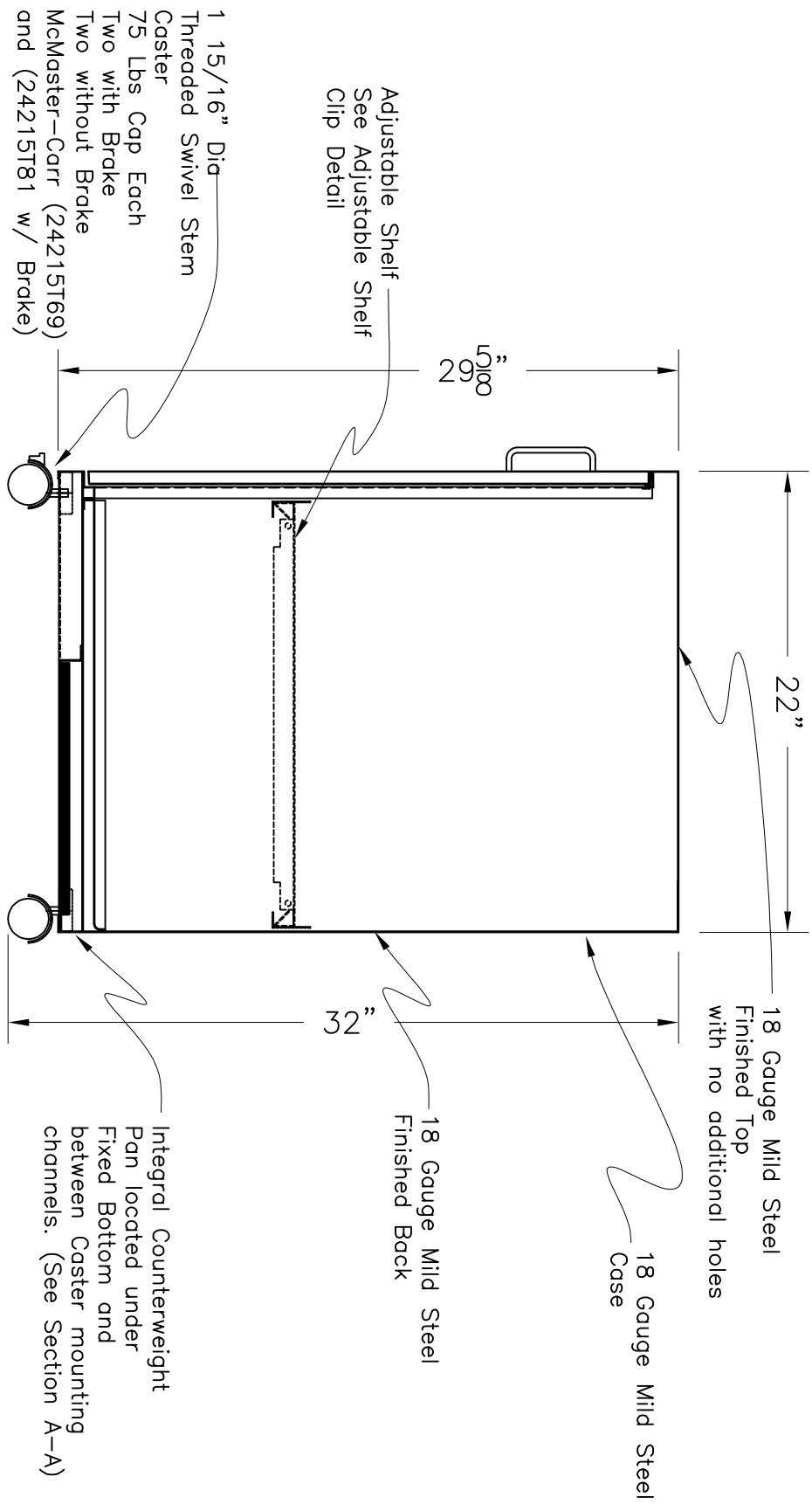
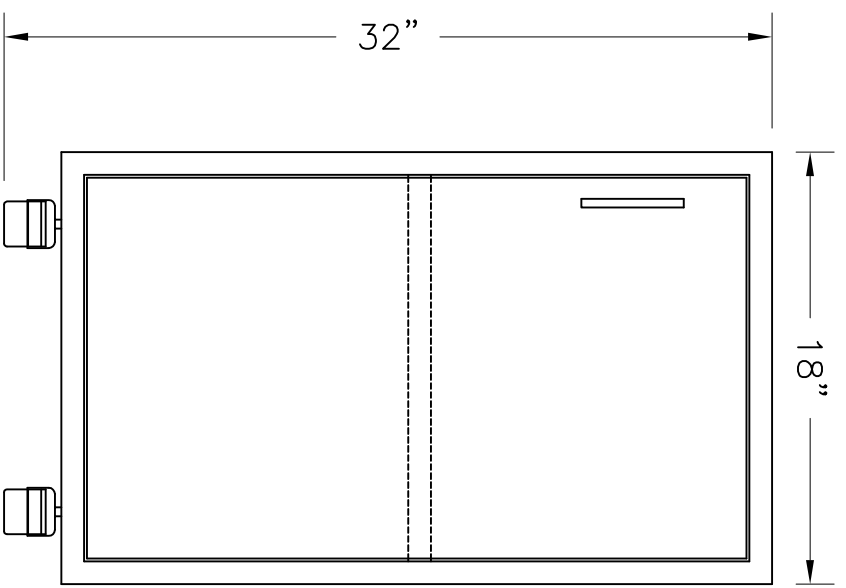
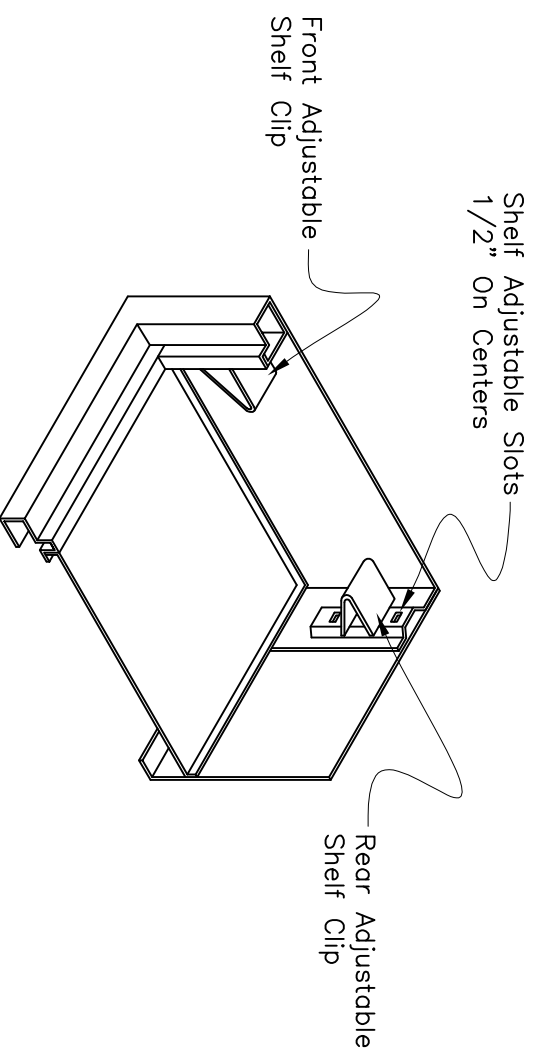
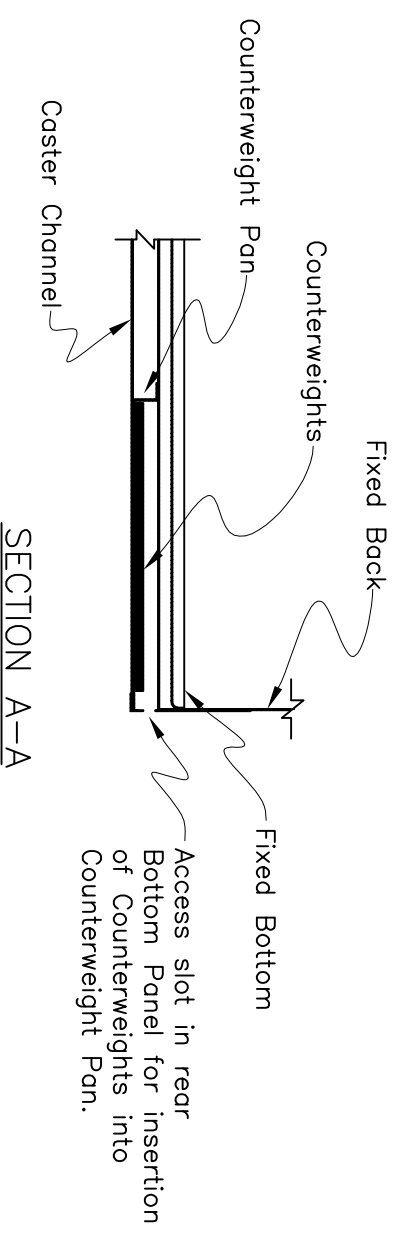


PART NUMBER
M1C-18



1 15/16" Dia
Threaded Swivel Stem
Caster
75 Lbs Cap Each
Two with Brake
Two without Brake
McMaster-Carr (24215T69)
and (24215T81 w/ Brake)

Adjustable Shelf
See Adjustable Shelf
Clip Detail

18 Gauge Mild Steel
Finished Top
with no additional holes

18 Gauge Mild Steel
Case

18 Gauge Mild Steel
Finished Back

Integral Counterweight
Pan located under
Fixed Bottom and
between Caster mounting
channels. (See Section A-A)



249 OLD CHURCHMANS ROAD
NEW CASTLE, DE 19720
PHONE: 302-322-0460
FAX: 302-322-2849

ROLLING CABINET, 2 DOOR, 1 ADJ. SHELF
18"W X 22"D X 32"H

SCALE 1"=1'-0"	DATE 10-08-03	DRAWN BY: BJS	CHK'D BY:	JOB NO.	SHEET NO.
-------------------	------------------	------------------	-----------	---------	-----------