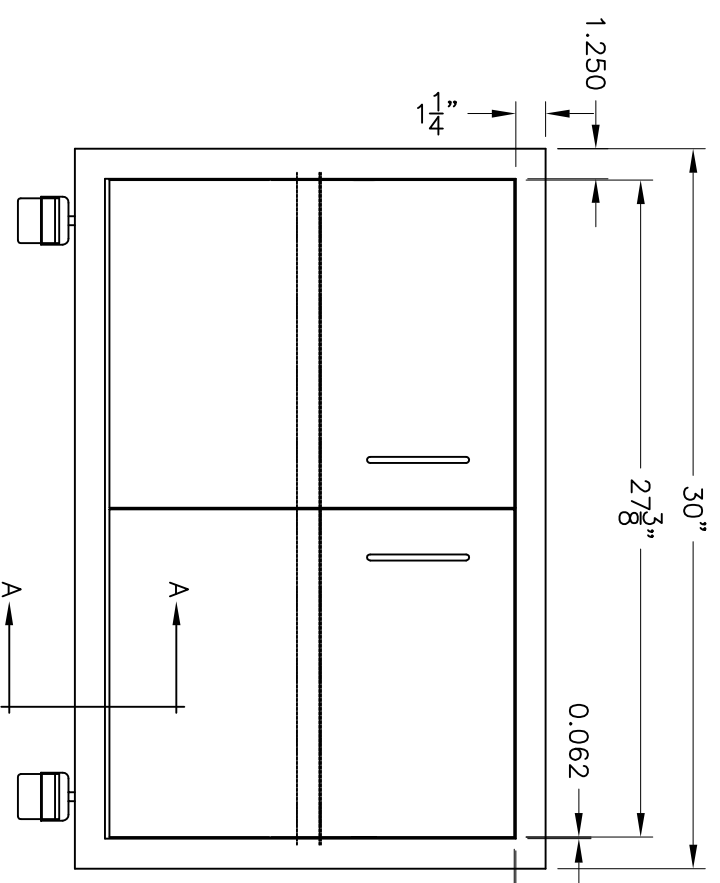


WARNING
 WEIGHT LIMIT PER DRAWER
 MAXIMUM 25 POUNDS
 CAUTION ONE DRAWER OPEN AT A TIME
 EXCEEDING WEIGHT LIMIT COULD CAUSE TIPPING

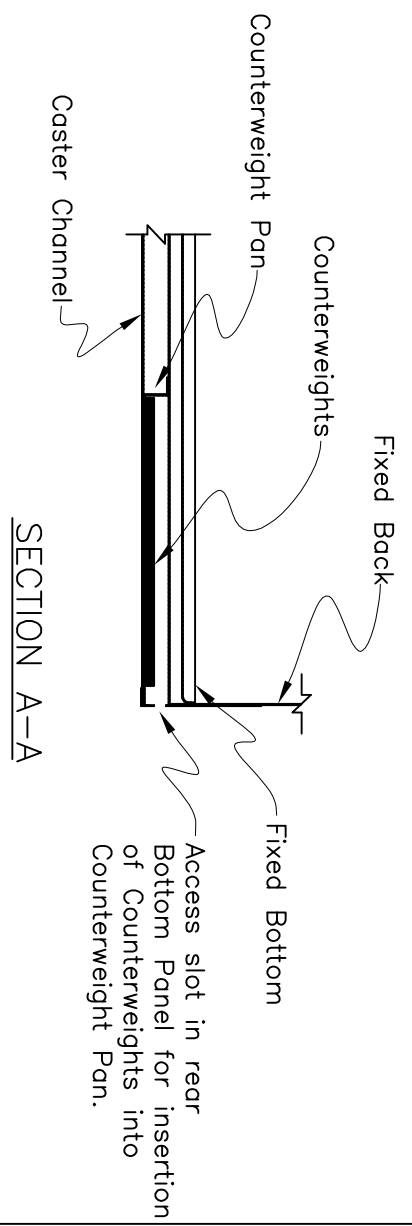
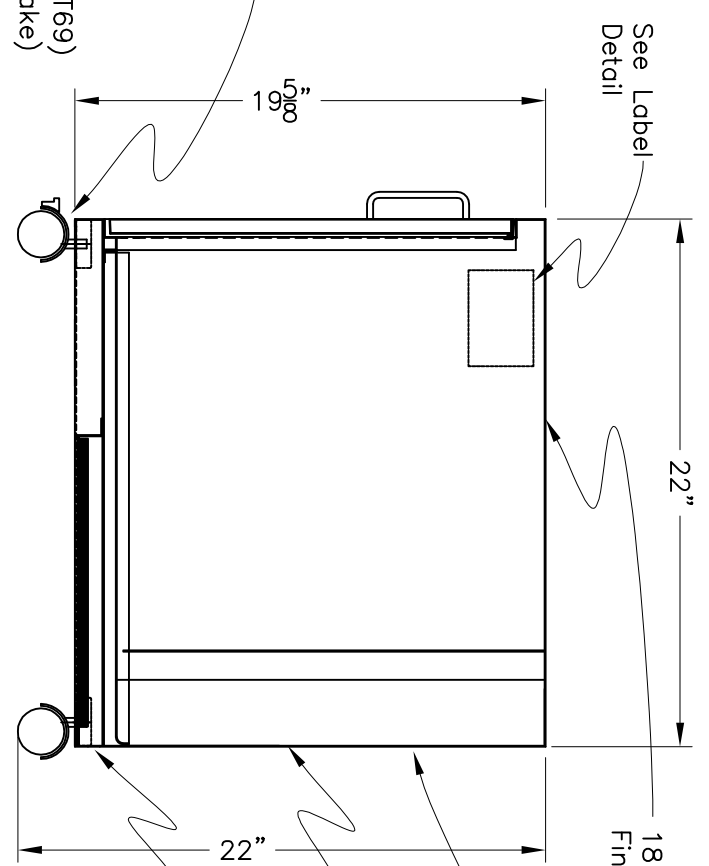
Label Detail

PART NUMBER

M1A-30



1 15/16" Dia Threaded Swivel Stem Caster
 75 Lbs Cap Each
 Two with Brake
 Two without Brake
 McMaster-Carr (24215T69) and (24215T81 w/ Brake)



18 Gauge Mild Steel Finished Top
 18 Gauge Mild Steel Case
 18 Gauge Mild Steel Finished Back
 18 Gauge Mild Steel
 Integral Counterweight Pan located under Fixed Bottom and in-between Caster mounting channels. (See Section A-A)