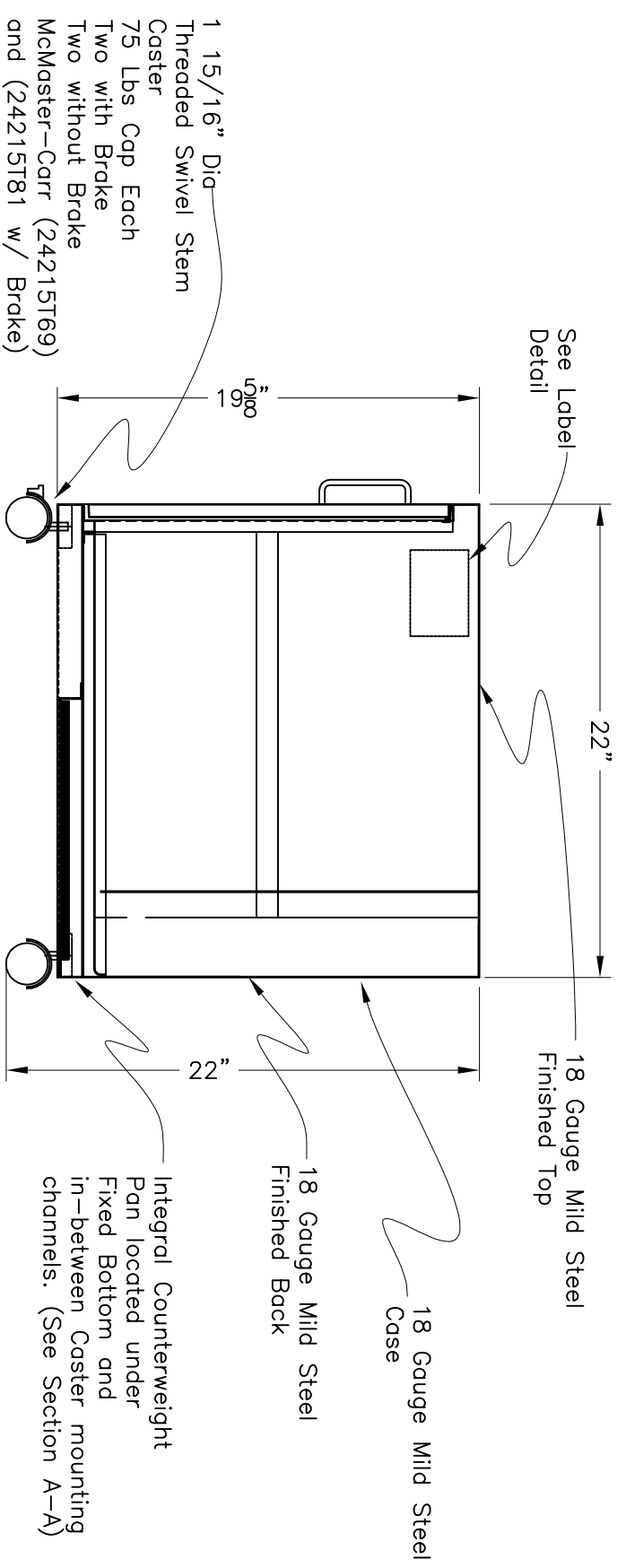
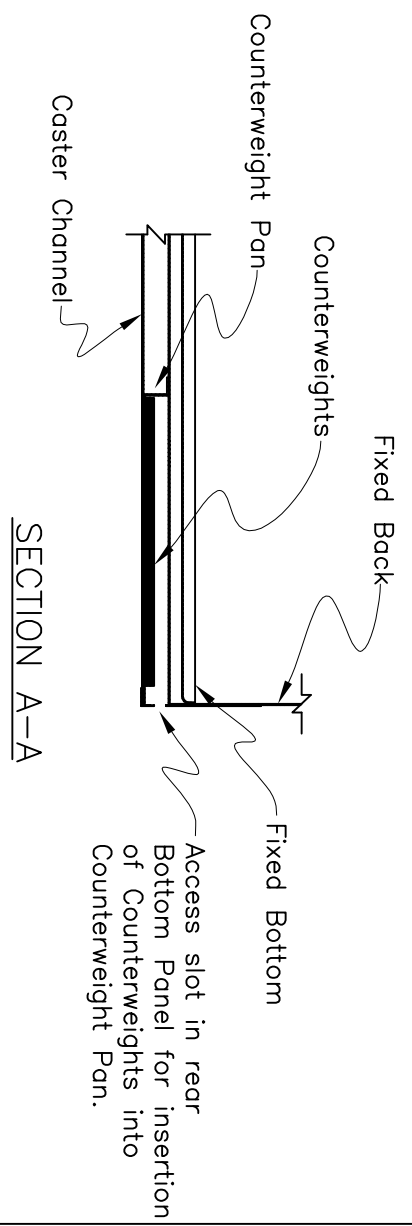
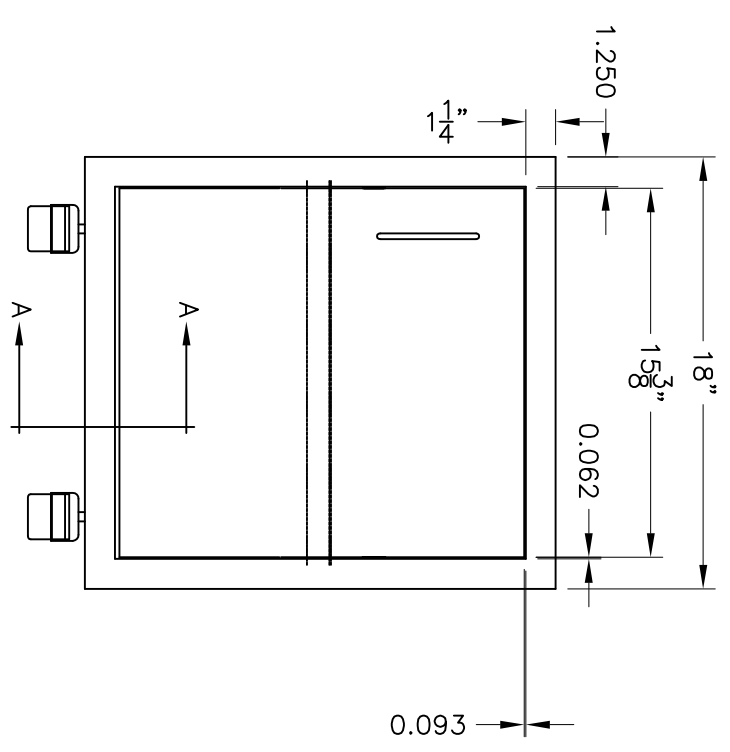


WARNING
 WEIGHT LIMIT PER DRAWER
 MAXIMUM 25 POUNDS
 CAUTION ONE DRAWER OPEN AT A TIME
 EXCEEDING WEIGHT LIMIT COULD CAUSE TIPPING

Label Detail

PART NUMBER
 M1A-18



PROJECT

ROLLING CABINET, 1 DOOR, 1 ADJ. SHELF
 18"W X 22"D X 22"H

249 OLD CHURCHMANS ROAD
 NEW CASTLE, DE 19720
 PHONE: 302-322-0460
 FAX: 302-322-2849

LFS systems CORP

SCALE	1"=1'-0"
DATE	10-08-03
DRAWN BY:	BJS
CHK'D BY:	
JOB NO.	
SHEET NO.	