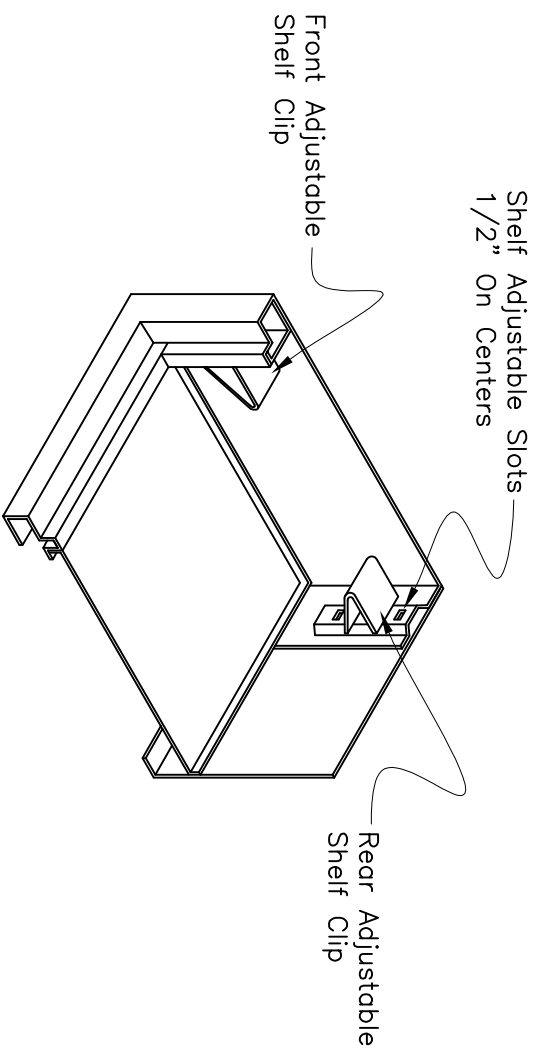
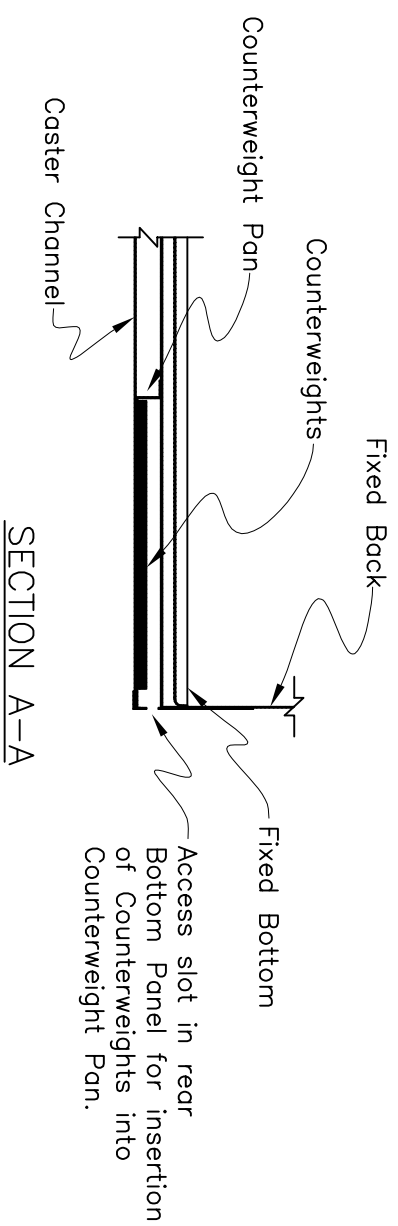
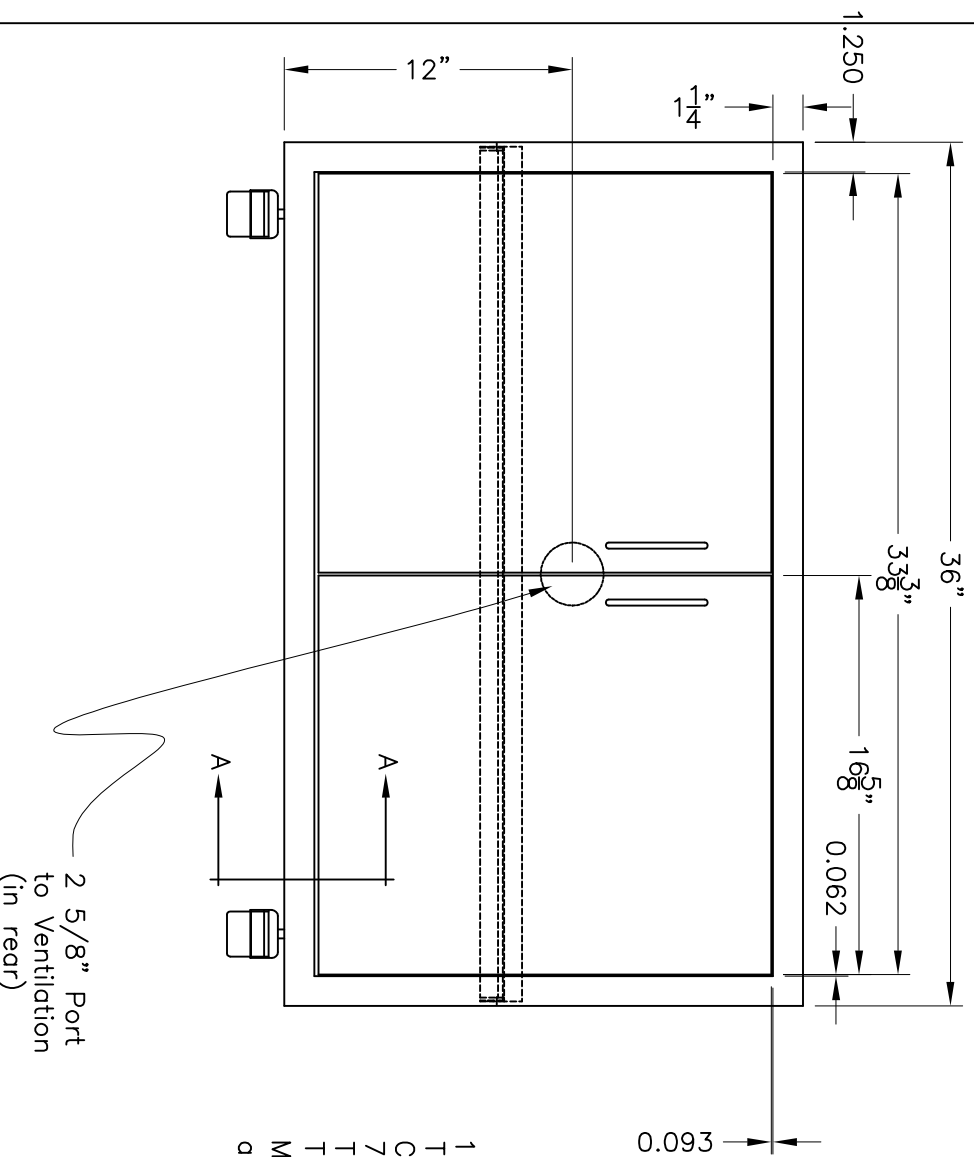


PART NUMBER  
M11A-36

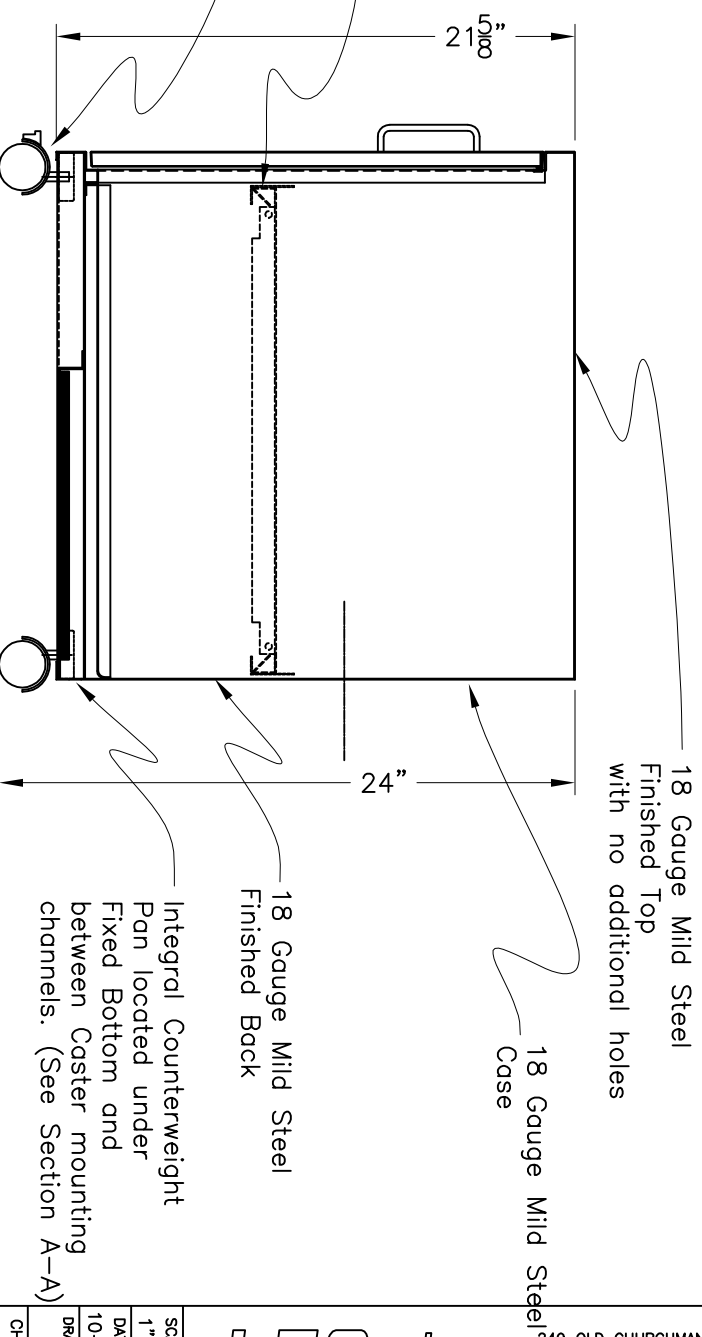


Adjustable Shelf Clip Detail



2 5/8" Port  
to Ventilation  
(in rear)

- Adjustable Shelf  
See Adjustable Shelf  
Clip Detail
- 1 15/16" Dia  
Threaded Swivel Stem  
Caster
- 75 Lbs Cap Each
- Two with Brake
- Two without Brake
- McMaster-Carr (24215T69)  
and (24215T81 w/ Brake)



Integral Counterweight  
Pan located under  
Fixed Bottom and  
between Caster mounting  
channels. (See Section A-A)