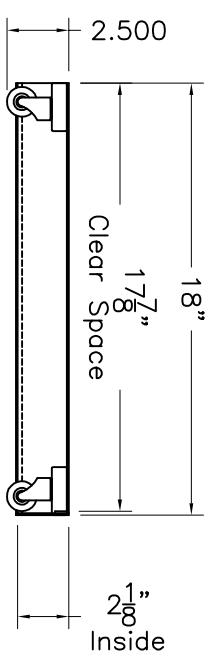
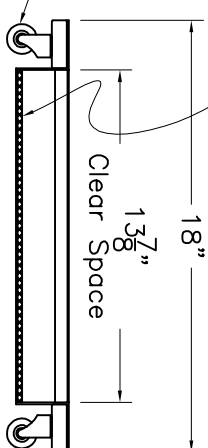


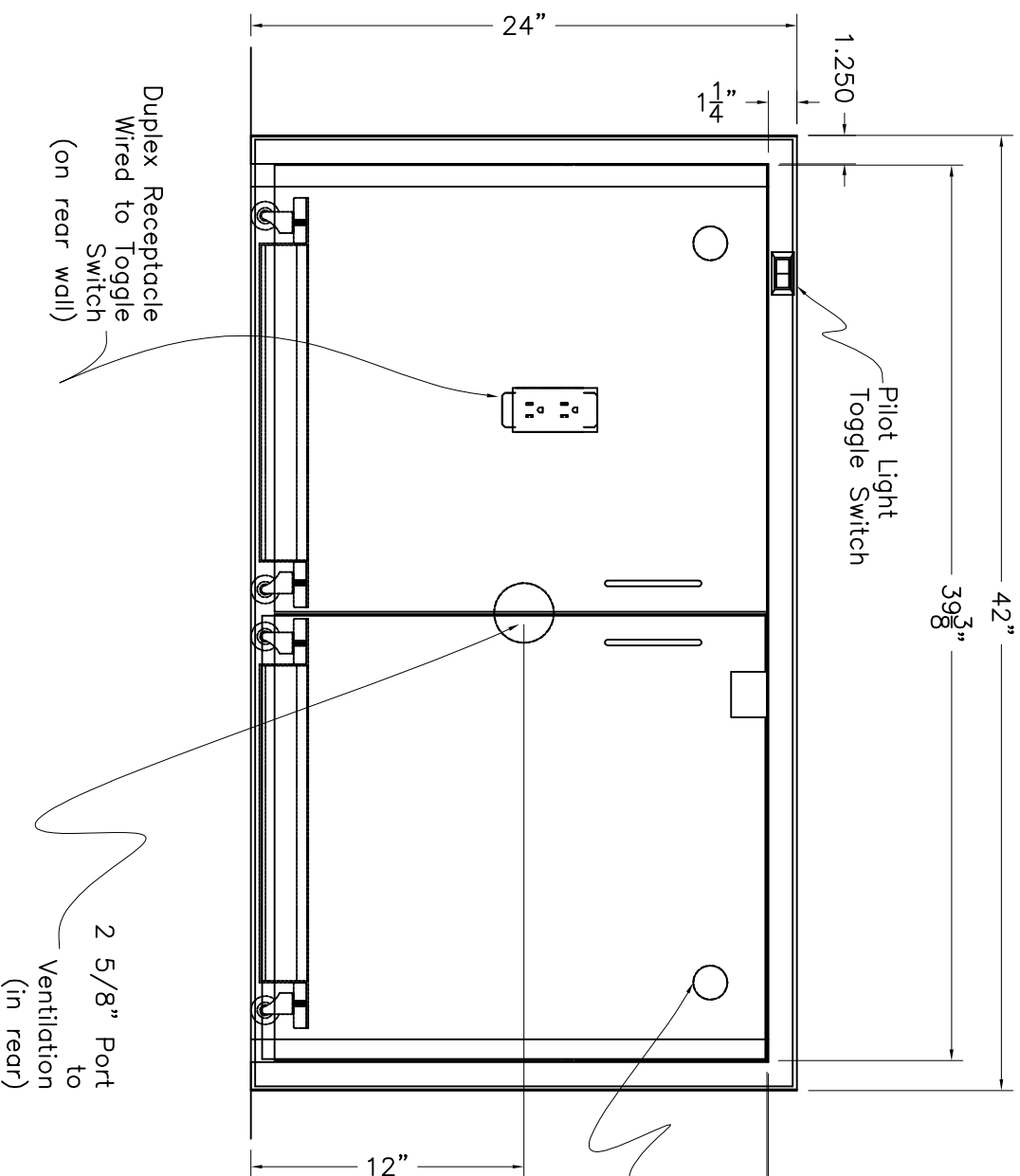
3/16"thk. neoprene foam
 1 1/4" Dia Threaded Swivel Stem Caster
 McMaster-Carr (24025T41)



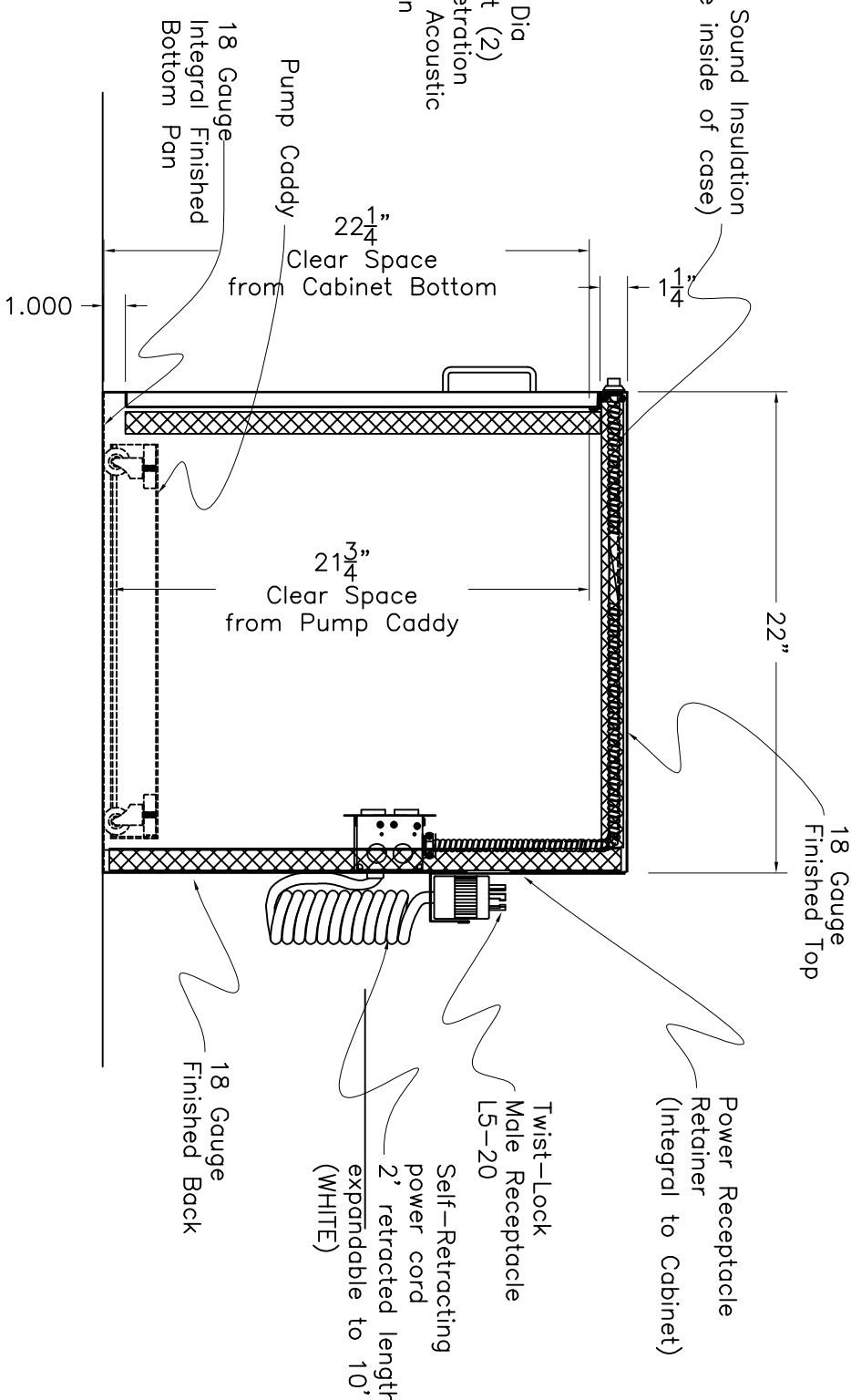
Pump Caddy Detail

PART NUMBER

M10A-42



1 1/4" Dia Svc Port (2)
 No Penetration through Acoustic Insulation
 Sound Insulation (entire inside of case)



LFS Systems CORP
 249 OLD CHURCHMANS ROAD
 NEW CASTLE, DE 19720
 PHONE: 302-322-0460
 FAX: 302-322-2849

ROLLING CABINET, VACUUM PUMP CABINET
 42"W X 22"D X 24"H

PROJECT

SCALE 1"=1'-0"
 DATE 10-08-03
 DRAWN BY: BJS
 CHK'D BY:
 JOB NO.
 SHEET NO.