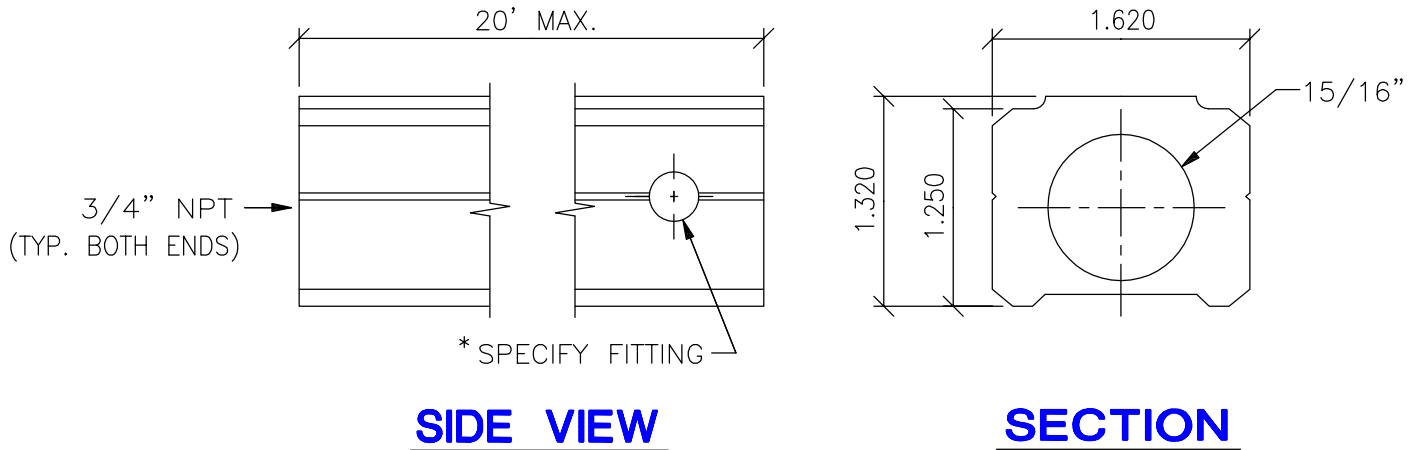


FLEX-A-SCOPE 2

STACKABLE ALUMINUM LABORATORY MANIFOLD



SIDE VIEW

SECTION

* QUANTITY, SIZE & LOCATION
(EXAMPLE: 3/8" OR 1/4" NPT)

SPECIFICATIONS:

1. ALUMINUM ALLOY: #6063
2. TEMPER: T5
3. ANODIZE: SCA
4. MAXIMUM WORKING PRESSURE: 1500 P.S.I.
5. RECOMMENDED OPERATING PRESSURE LESS THAN 200 P.S.I.
6. NOT RECOMMENDED FOR HIGH PURITY OR REACTIVE CYLINDER GASES (EG. HELIUM, HYDROGEN, OXYGEN, ETC.)

LFS *systems*
CORP